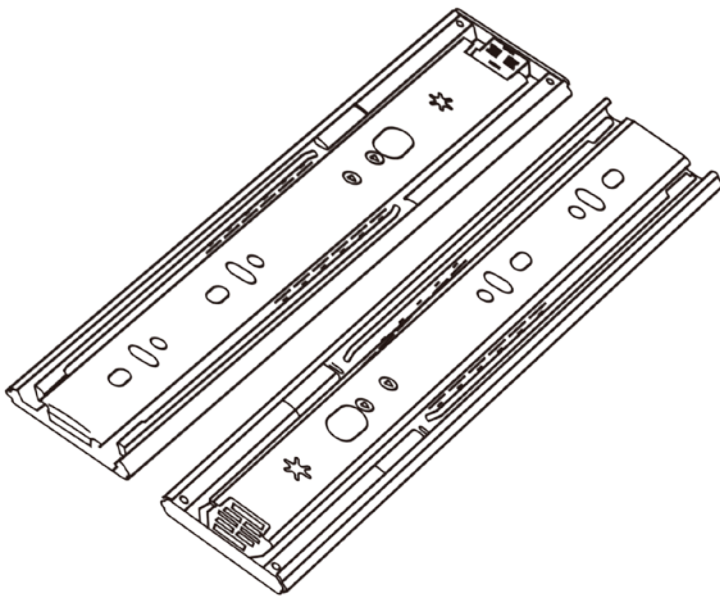


# vadania

Hardware for your life



## Package

1 Pair of drawer slide

## Attention:

The mounting brackets and screws are not included.

## Contact Us

The official website

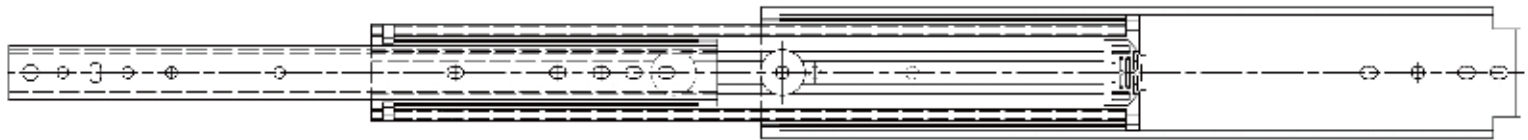
<https://vadania.com/>

Email: [info@vadania.com](mailto:info@vadania.com)

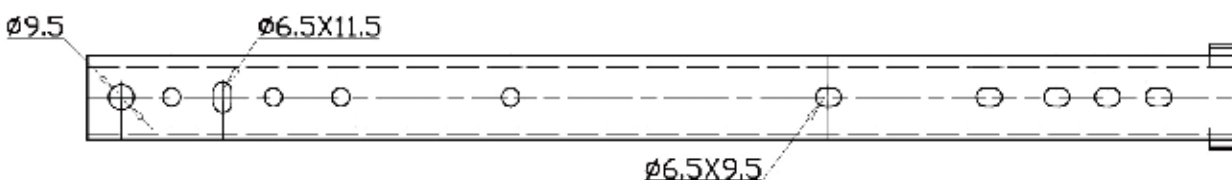
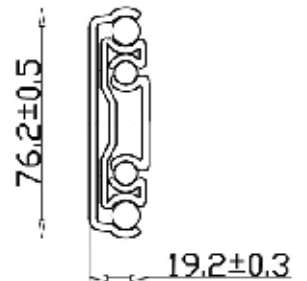
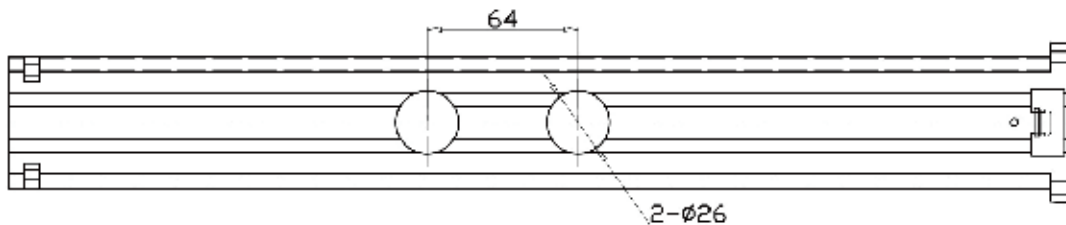


Facebook Page

- **NAME:** VADANIA HEAVY DUTY DRAWER SLIDES VA2576
- **MATERIAL:** COLD-ROLLED STEEL
- **INSTALLATION METHOD:** SIDE MOUNT
- **MAXIMUM LOAD CAPACITY:** 485LBS / 220KG
- **MINI DEPTH OF CABINET:** DRAWER LENGTH + 0.12IN / 3MM
- **SLIDE STYLE:** 3 FOLDS FULL EXTENSION, NON-SEPARABLE, HEAVY DUTY
- **PLATE THICKNESS:** OUTER SLIDER 0.1IN(2.5MM) / MIDDLE SLIDER 0.1IN(2MM) / INNER SLIDER 0.1IN(2.5MM)
- **SIZE:** 8-60IN / 200-1500MM
- **SCOPE OF APPLICATION:** MECHANICAL CABINETS, WAREHOUSE CABINETS, INDUSTRIAL CABINETS, VAN/TRUCK DRAWERS, SLIDING DOOR/WINDOWS/FURNITURE



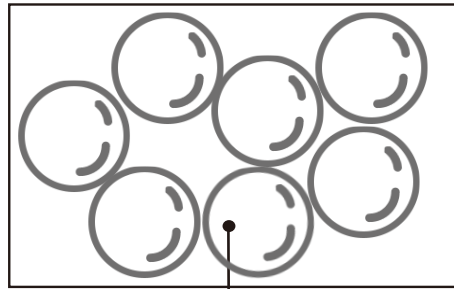
Unit: mm



# Product Features

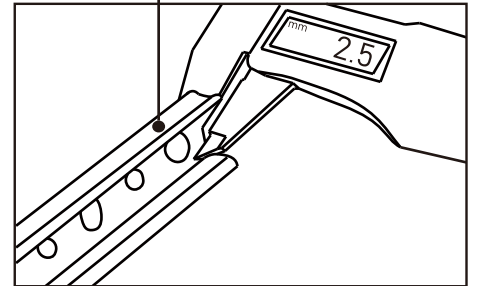
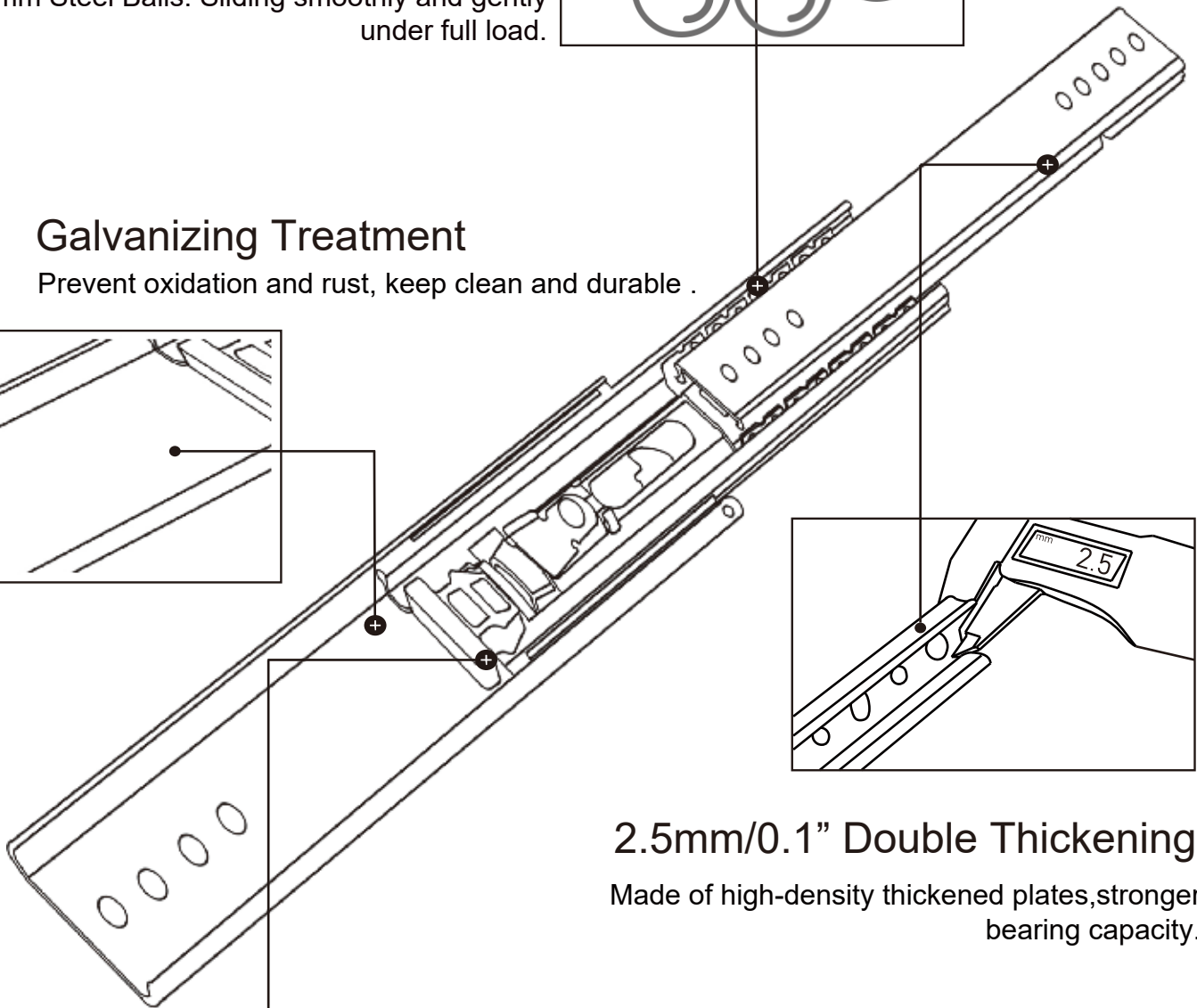
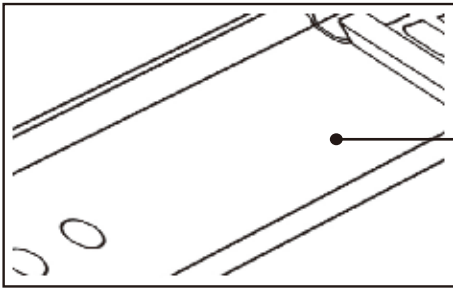
## Stronger Solid Ball Bearing

7.5mm Steel Balls. Sliding smoothly and gently under full load.



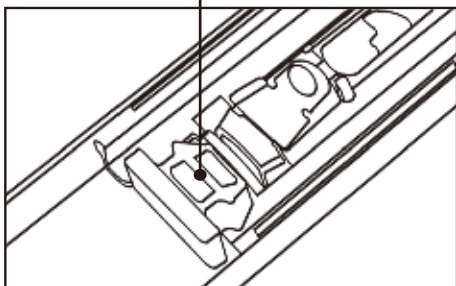
## Galvanizing Treatment

Prevent oxidation and rust, keep clean and durable .



## 2.5mm/0.1" Double Thickening

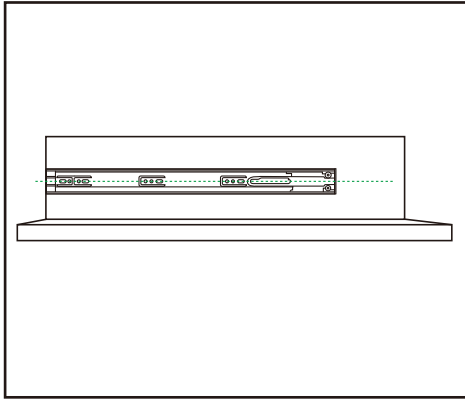
Made of high-density thickened plates, stronger bearing capacity.



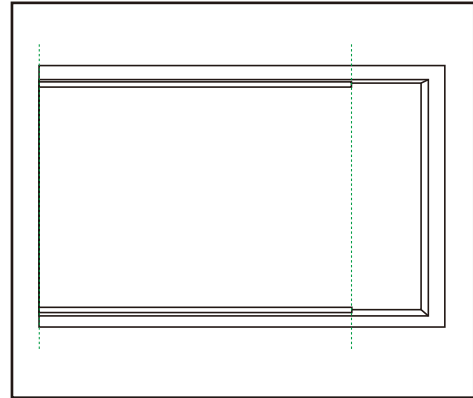
## Lock Device

Prevent from sliding out automatically.

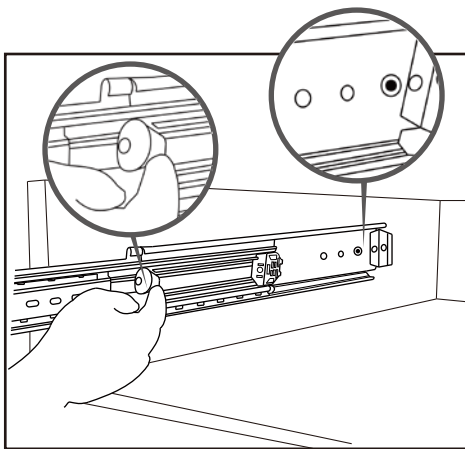
# Installation Instruction



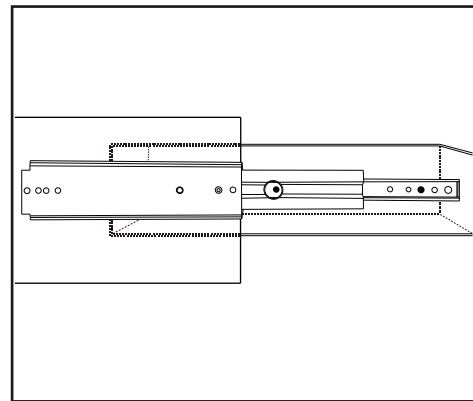
**Step1** Make sure the slides are leveled during the installation process



**Step2** Place the outer member flush with the front edge of cabinet

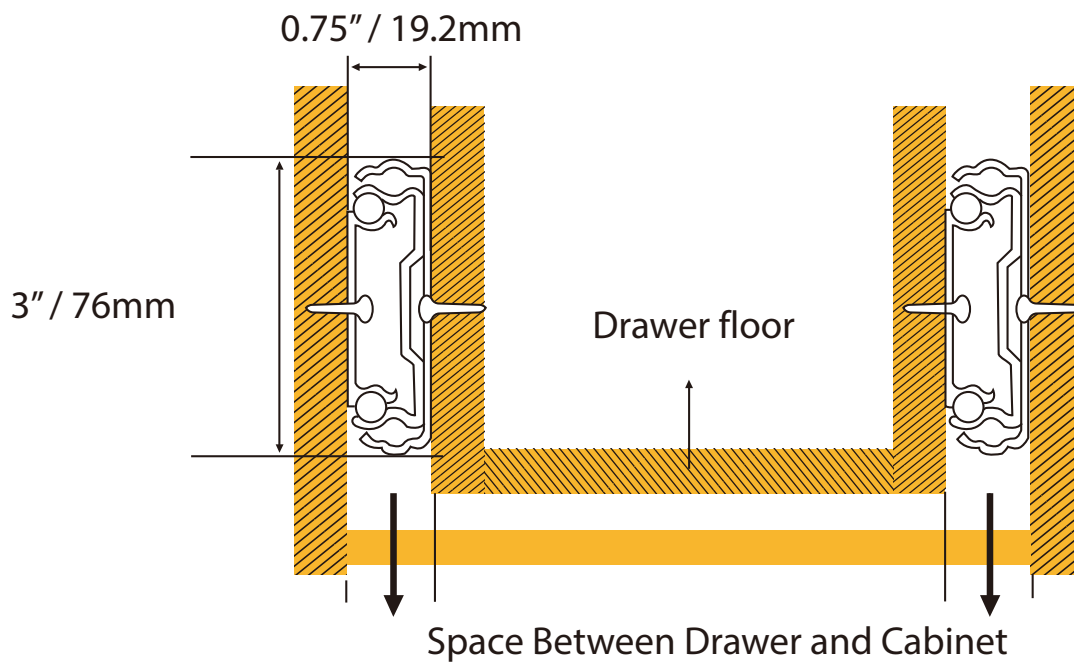


**Step3** Mount the screws in the permanent mounting (Breathing) holes on the cabinet wall



**Step4** Mount the screws in the permanent mounting (Breathing) holes on the drawer

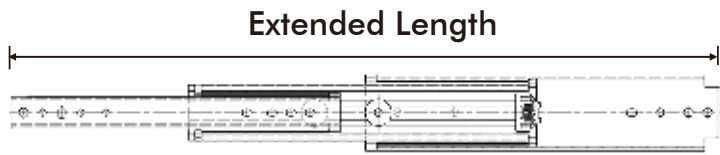
## Installation Precautions



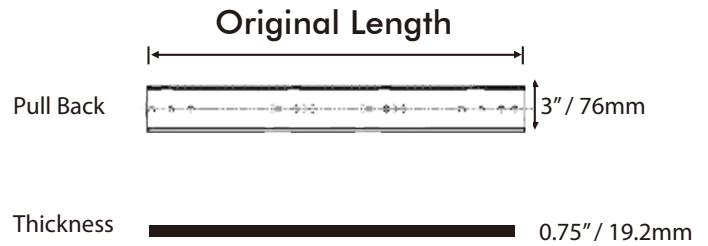
# Size Table

## Dimension

(Refer to the below table)



Full Extend



Specification	Original Lenth	Extended Lenth(±0.12"/3mm)	Width	Thickness	Load bearing
8"(200mm)	8"/203.4mm	16"/406.8mm	3"/76mm	0.75"/19.2mm	485lb/220kg
10"(250mm)	10"/254mm	20"/508mm			485lb/220kg
12"(300mm)	12"/304.8mm	24"/609.6mm			485lb/220kg
14"(350mm)	14"/355.6mm	28"/711.2mm			485lb/220kg
16"(400mm)	16"/406.4mm	32"/812.8mm			485lb/220kg
18"(450mm)	18"/457.2mm	36"/914.4mm			485lb/220kg
20"(500mm)	20"/508mm	40"/1016mm			476lb/216kg
22"(550mm)	22"/558.8mm	44"/1117.6mm			458lb/208kg
24"(600mm)	24"/609.6mm	48"/1219.2mm			449lb/204kg
28"(700mm)	28"/711.2mm	56"/1422.4mm			432lb/196kg
32"(800mm)	32"/812.8mm	64"/1625.6mm			414lb/188kg
36"(900mm)	36"/914.4mm	72"/1828.8mm			396lb/180kg
40"(1000mm)	40"/1016mm	80"/2032mm			379lb/172kg
44"(1100mm)	44"/1117.6mm	88"/2235.2mm			361lb/164kg
48"(1200mm)	48"/1219.2mm	96"/2438.4mm			343lb/156kg
52"(1300mm)	52"/1320.8mm	104"/2641.6mm			326lb/148kg
56"(1400mm)	56"/1422.4mm	112"/2844.8mm			308lb/140kg
60"(1500mm)	60"/1524mm	120"/3048mm			291lb/132kg

A deviation of 0.12"/3mm may apply to the actual extended length.

## How to Chose Size

Measure the depth of the drawer ( for example, if the depth is 13in/330mm, choose 12in/300mm drawer slides. Deviations of 0.7in/20mm-1in/30mm are suitable)