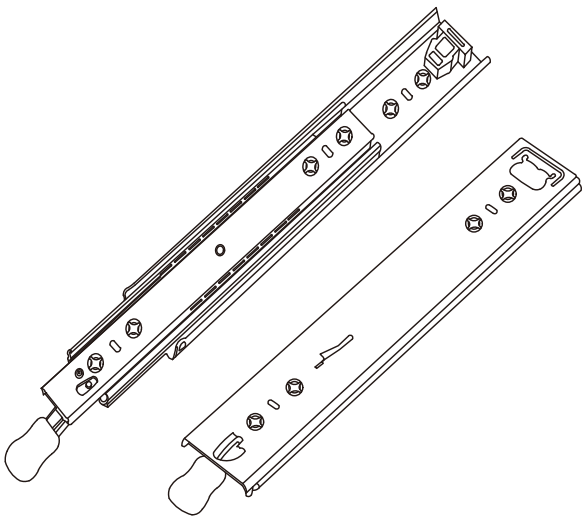


vadania

Hardware for your life



Package

1 Pair of drawer slide

Attention:

The mounting brackets and screws are not included.

Contact Us

The official website

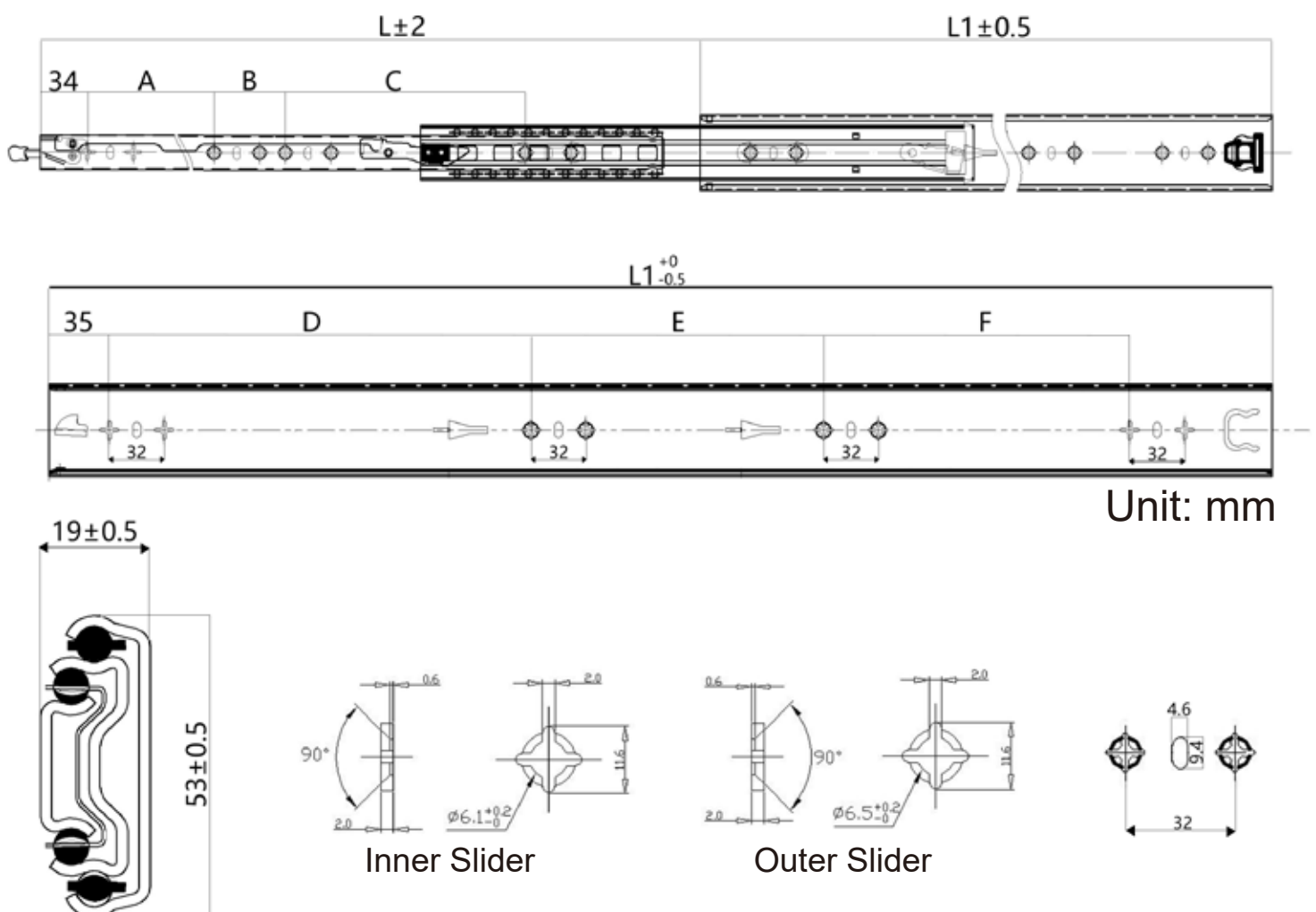
<https://vadania.com/>

Email: info@vadania.com

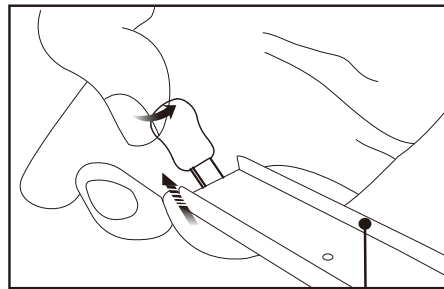


Facebook Page

- **NAME:** VADANIA HEAVY DUTY DRAWER SLIDES VD2053
- **MATERIAL:** COLD-ROLLED (COLD ROLLED) STEEL
- **INSTALLATION METHOD:** SIDE MOUNT
- **MAXIMUM LOAD CAPACITY:** 256LB / 120KG.
- **MINI DEPTH OF CABINET:** DRAWER LENGTH + 0.12IN / 3MM
- **SLIDE STYLE:** 3 FOLDS FULL EXTENSION, SIDE MOUNT, SEPARABLE, WITH LOCK
- **PLATE THICKNESS:** OUTER SLIDER 0.08IN(2MM) / MIDDLE SLIDER 0.08IN(2MM) / INNER SLIDER 0.08IN(2MM)
- **SIZE:** 12-40IN / 300-1000MM
- **SCOPE OF APPLICATION:** MECHANICAL CABINETS, WAREHOUSE CABINETS, INDUSTRIAL CABINETS, FINANCIAL EQUIPMENT, TRUCK DRAWERS

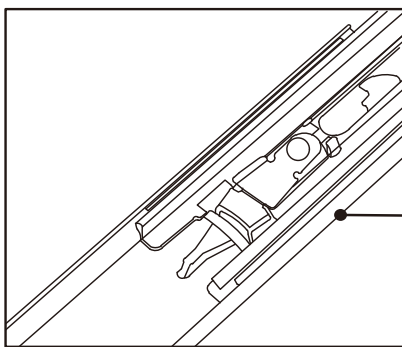


Product Features



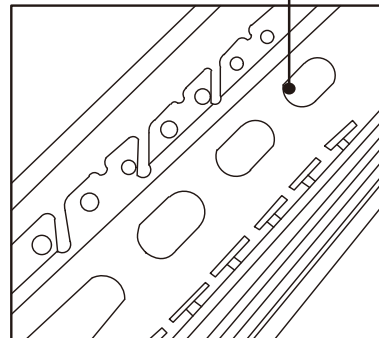
Lock Button

Press to unlock the slide



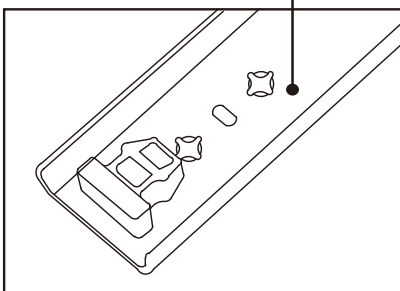
Lock Device

Prevent from sliding



Dual-row Ball Bearing

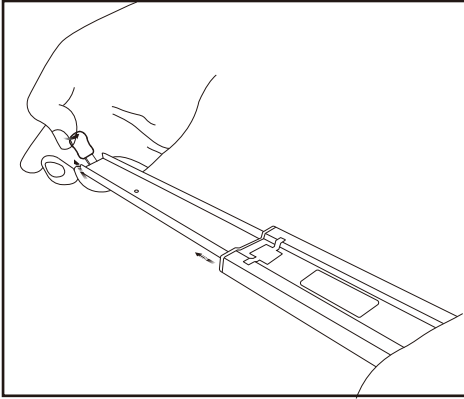
Sliding gently and smoothly



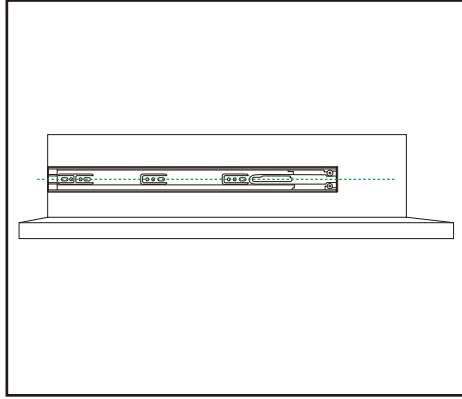
Anticollision Device

Made of environment-friendly materials, moisture-proof, abrasion resistance and compression resistance

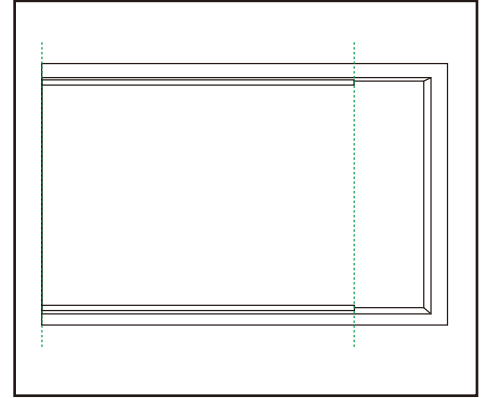
Installation Instruction



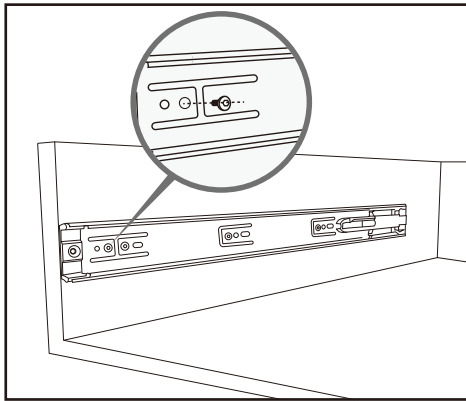
Step1 Separate drawer and base portion before mounting with provided lever



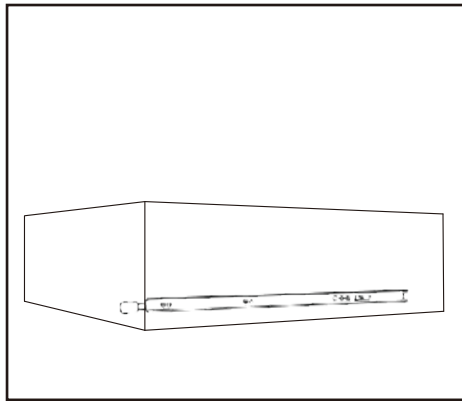
Step2 Make sure the slides are leveled during the installation process



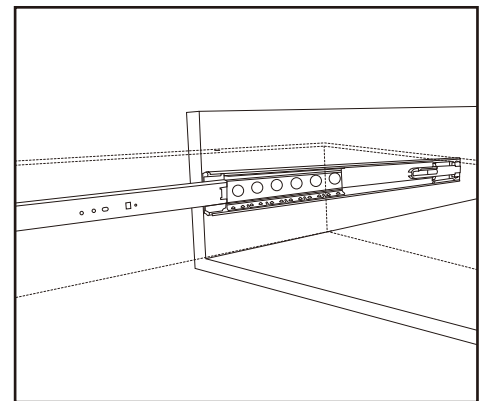
Step3 Place the outer member flush with the front edge of cabinet



Step4 Mount the screws in the permanent mounting (Breathing) holes

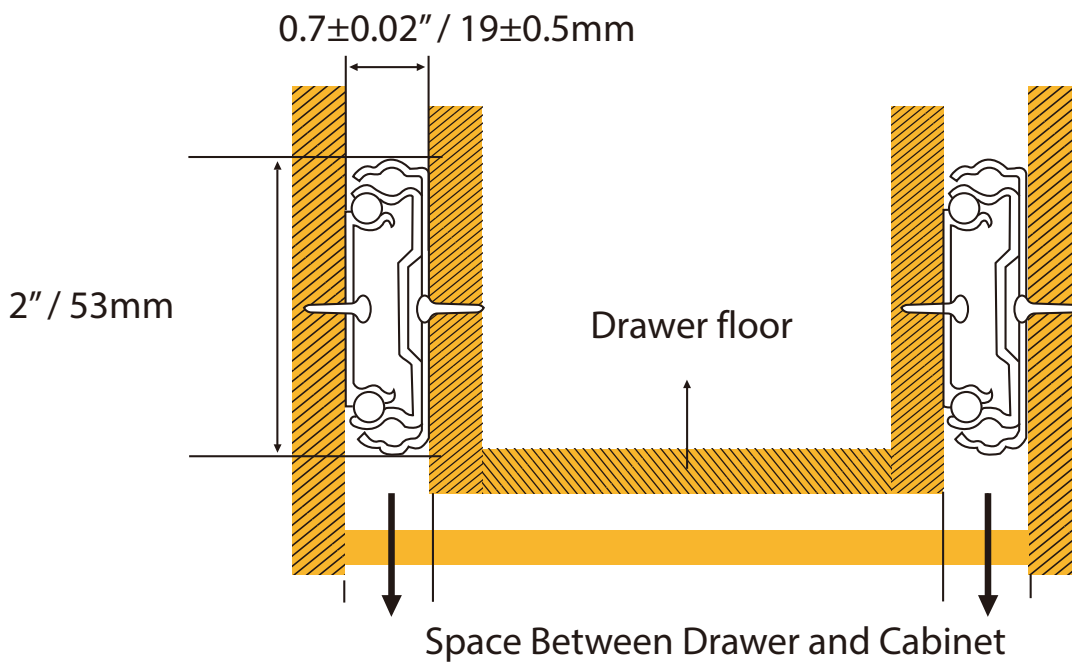


Step5 Adjust and level the inner member. mount the screws in the permanent mounting holes



Step6 Move the metal retainer to the front of cabinet member and insert the drawer box carefully.

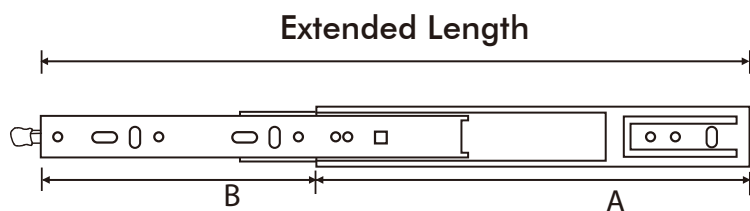
Installation Precautions



Size Table

Dimension

(Refer to the below table)



Full Extend

Original Length



Thickness 0.7" / 19mm

Gap of Installation: 0.7" / 19mm

Item Size	Original Length	Extended Length[A+B]	Width	Thickness	Wight	Loab Capacity
12"/300mm	11.8"/300mm	23.5[11.8+11.7]"/597[300+297]mm	2"/53mm	0.7 "/19mm	3.4lb/1.5kg	264lb/120kg
14"/350mm	13.7"/350mm	27.3[13.7+13.6]"/697[350+347]mm			4.1lb/1.85kg	264lb/120kg
16"/400mm	15.7"/400mm	31.3[15.7+15.6]"/797[400+397]mm			4.6lb/2kg	264lb/120kg
18"/450mm	17.7"/450mm	35.3[17.7+17.6]"/897[450+447]mm			5.2lb/2.35kg	264lb/120kg
20"/500mm	19.7"/500mm	39.3[19.7+19.6]"/997[500+497]mm			5.8lb/2.6kg	250lb/113kg
22"/550mm	21.6"/550mm	43.1[21.6+21.5]"/1097[550+547]mm			6.5lb/3kg	233lb/105kg
24"/600mm	23.6"/600mm	47.1[23.6+23.5]"/1197[600+597]mm			7.1lb/3.2kg	218lb/98kg
28"/700mm	27.5"/700mm	54.9[27.5+27.4]"/1397[700+697]mm			8.4lb/3.8kg	187lb/85kg
32"/800mm	31.4"/800mm	62.7[31.4+31.3]"/1597[800+797]mm			9.5lb/4.3kg	156lb/71kg
36"/900mm	35.4"/900mm	70.7[35.4+35.3]"/1797[900+897]mm			10.7lb/4.8kg	125lb/57kg
40"/1000mm	39.4"/1000mm	78.7[39.4+39.3]"/1997[1000+997]mm			12lb/5.4kg	94lb/43kg

A deviation of 0.2"/5mm may apply to the actual extended length.

How to Chose Size

Measure the depth of the drawer (for example, if the depth is 13in/330mm, choose 12in/300mm drawer slides. Deviations of 0.7in/20mm-1in/30mm are suitable)