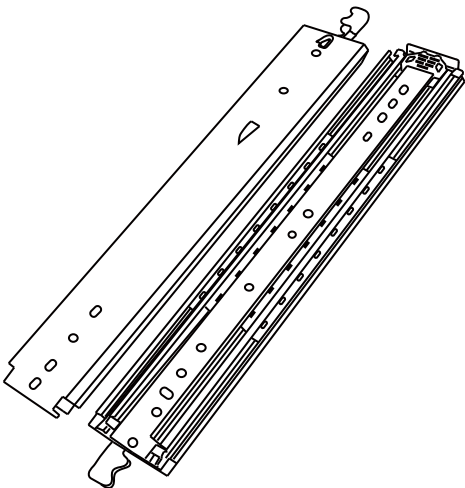


vadania

Hardware for your life



Package

1 Pair of drawer slide

Attention:

The mounting brackets and screws are not included.

Contact Us

The official website

<https://vadania.com/>

Email: info@vadania.com

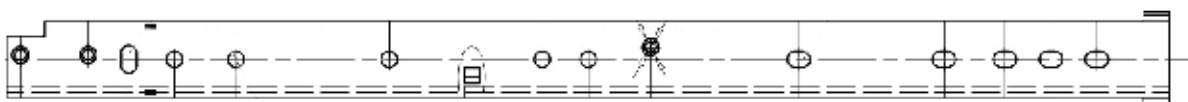
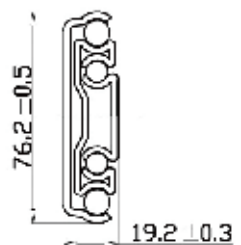
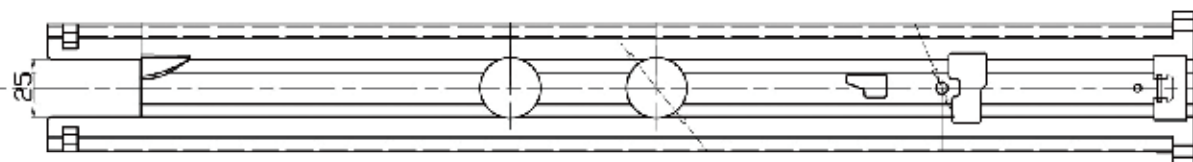


Facebook Page

- **NAME:** VADANIA HEAVY DUTY DRAWER SLIDES VD2576
- **MATERIAL:** COLD-ROLLED STEEL
- **INSTALLATION METHOD:** SIDE MOUNT
- **MAXIMUM LOAD CAPACITY:** 485LBS / 220KG
- **MINI DEPTH OF CABINET:** DRAWER LENGTH + 0.12IN / 3MM
- **SLIDE STYLE:** 3 FOLDS FULL EXTENSION, NON-SEPARABLE, HEAVY DUTY, LOCKING DESIGN
- **PLATE THICKNESS:** OUTER SLIDER 0.1IN(2.5MM) / MIDDLE SLIDER 0.1IN(2MM) / INNER SLIDER 0.1IN(2.5MM)
- **SIZE:** 8-60IN / 200-1500MM
- **SCOPE OF APPLICATION:** MECHANICAL CABINETS, WAREHOUSE CABINETS, INDUSTRIAL CABINETS, VAN/TRUCK DRAWERS, SLIDING DOOR/WINDOWS/FURNITURE



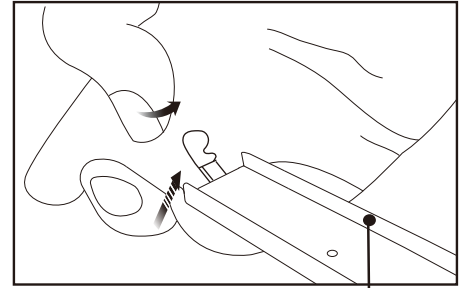
Unit: mm



Product Features

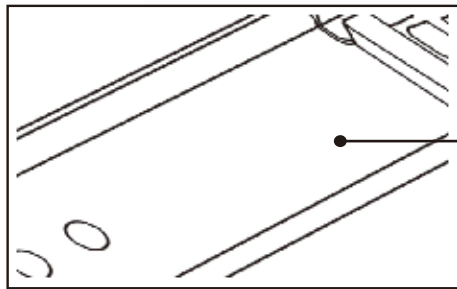
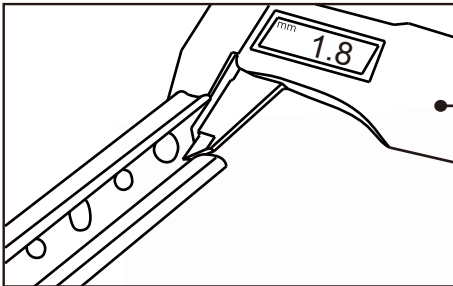
Lock Button

Press to unlock the slide.



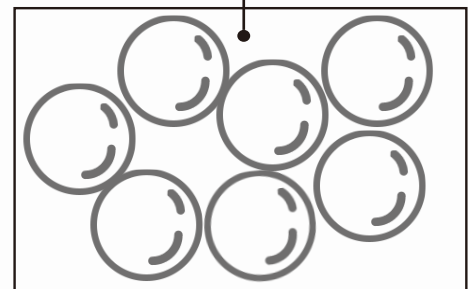
1.8mm/0.07" Double Thickening

Made of high-density thickened plates, stronger bearing capacity.



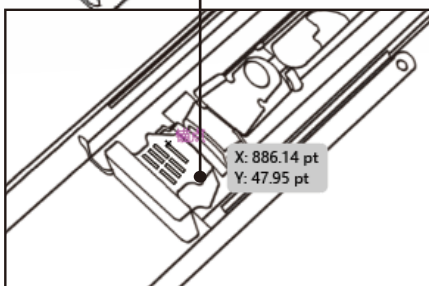
Galvanizing Treatment

Prevent oxidation and rust, keep clean and durable .



Stronger Solid Ball Bearing

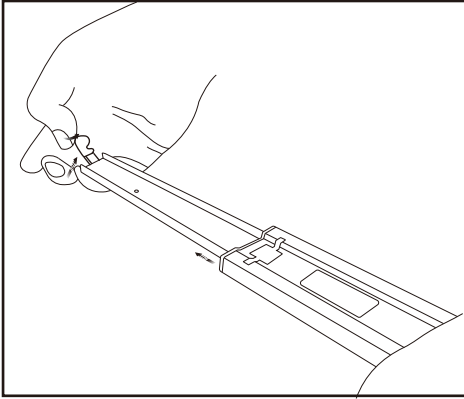
7.5mm Steel Balls. Sliding smoothly and gently under full load.



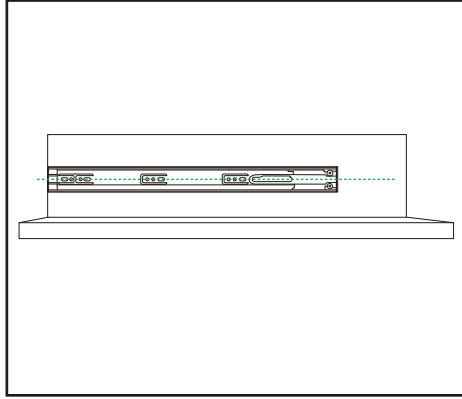
Lock Device

Prevent from sliding out automatically.

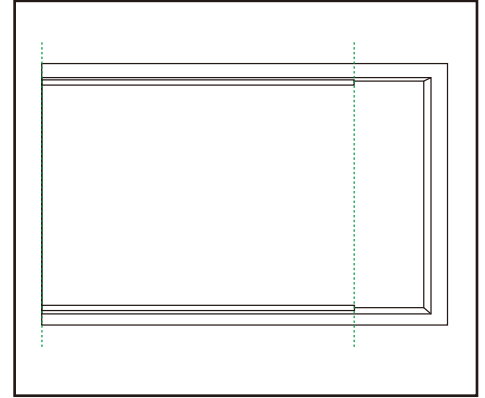
Installation Instruction



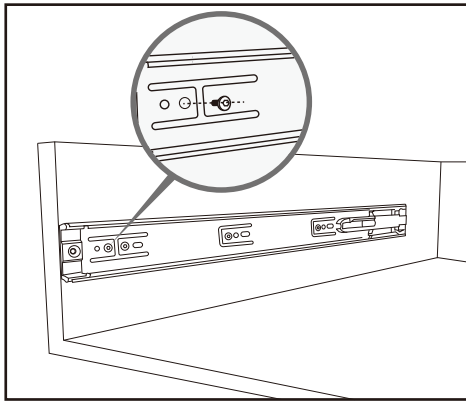
Step1 Separate drawer and base portion before mounting with provided lever



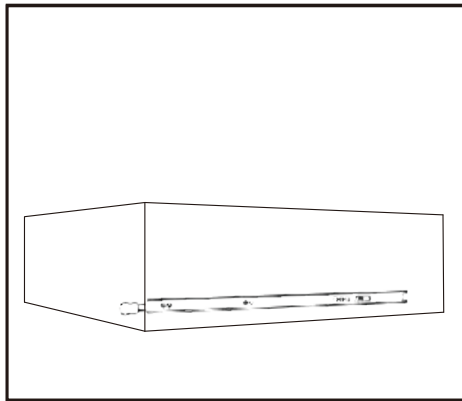
Step2 Make sure the slides are leveled during the installation process



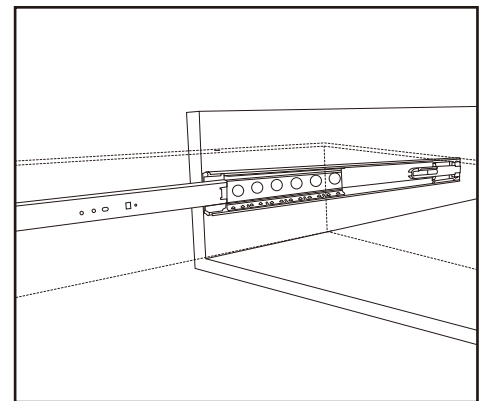
Step3 Place the outer member flush with the front edge of cabinet



Step4 Mount the screws in the permanent mounting (Breathing) holes

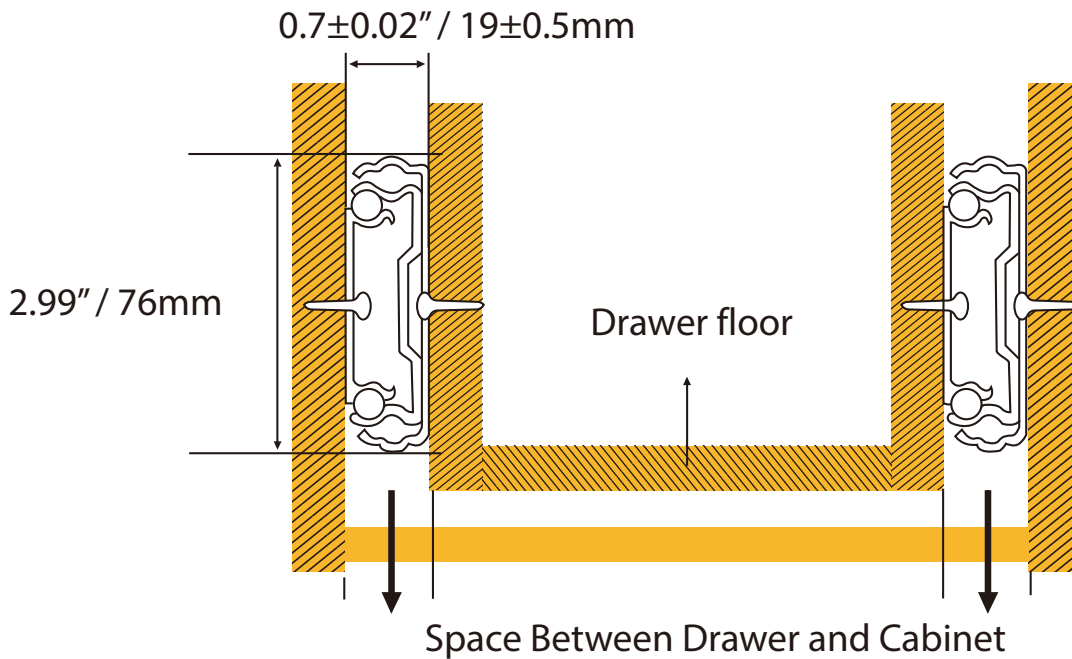


Step5 Adjust and level the inner member. mount the screws in the permanent mounting holes



Step6 Move the metal retainer to the front of cabinet member and insert the drawer box carefully.

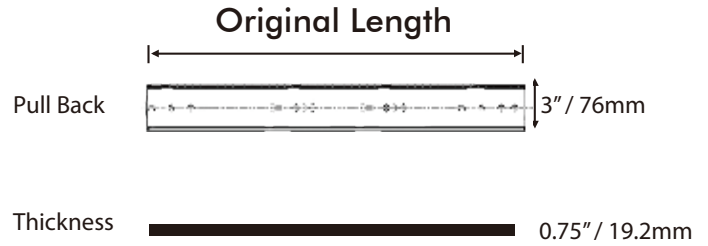
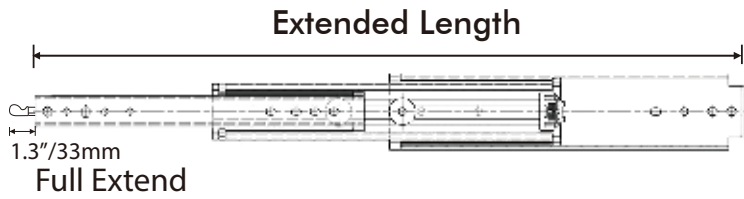
Installation Precautions



Size Table

Dimension

(Refer to the below table)



Specification	Original Lenth	Extended Lenth(±0.12"/3mm)	Width	Thickness	Load bearing
8"(200mm)	8"/203.4mm	16"/406.8mm	3"/76mm	0.75"/19.2mm	485lb/220kg
10"(250mm)	10"/254mm	20"/508mm			485lb/220kg
12"(300mm)	12"/304.8mm	24"/609.6mm			485lb/220kg
14"(350mm)	14"/355.6mm	28"/711.2mm			485lb/220kg
16"(400mm)	16"/406.4mm	32"/812.8mm			485lb/220kg
18"(450mm)	18"/457.2mm	36"/914.4mm			485lb/220kg
20"(500mm)	20"/508mm	40"/1016mm			476lb/216kg
22"(550mm)	22"/558.8mm	44"/1117.6mm			458lb/208kg
24"(600mm)	24"/609.6mm	48"/1219.2mm			449lb/204kg
28"(700mm)	28"/711.2mm	56"/1422.4mm			432lb/196kg
32"(800mm)	32"/812.8mm	64"/1625.6mm			414lb/188kg
36"(900mm)	36"/914.4mm	72"/1828.8mm			396lb/180kg
40"(1000mm)	40"/1016mm	80"/2032mm			379lb/172kg
44"(1100mm)	44"/1117.6mm	88"/2235.2mm			361lb/164kg
48"(1200mm)	48"/1219.2mm	96"/2438.4mm			343lb/156kg
52"(1300mm)	52"/1320.8mm	104"/2641.6mm			326lb/148kg
56"(1400mm)	56"/1422.4mm	112"/2844.8mm			308lb/140kg
60"(1500mm)	60"/1524mm	120"/3048mm			291lb/132kg

A deviation of 0.12"/3mm may apply to the actual extended length.

How to Chose Size

Measure the depth of the drawer (for example, if the depth is 13in/330mm, choose 12in/300mm drawer slides. Deviations of 0.7in/20mm-1in/30mm are suitable)