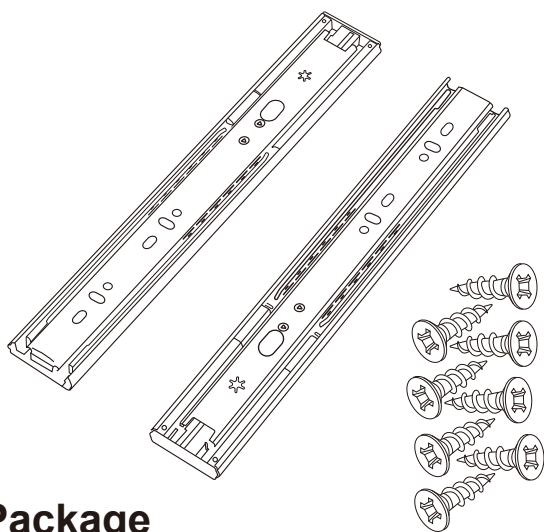


# vadania

Hardware for your life



### Package

1Pair of drawer slide  
8 x Mount screws

### Contact Us

#### The official website

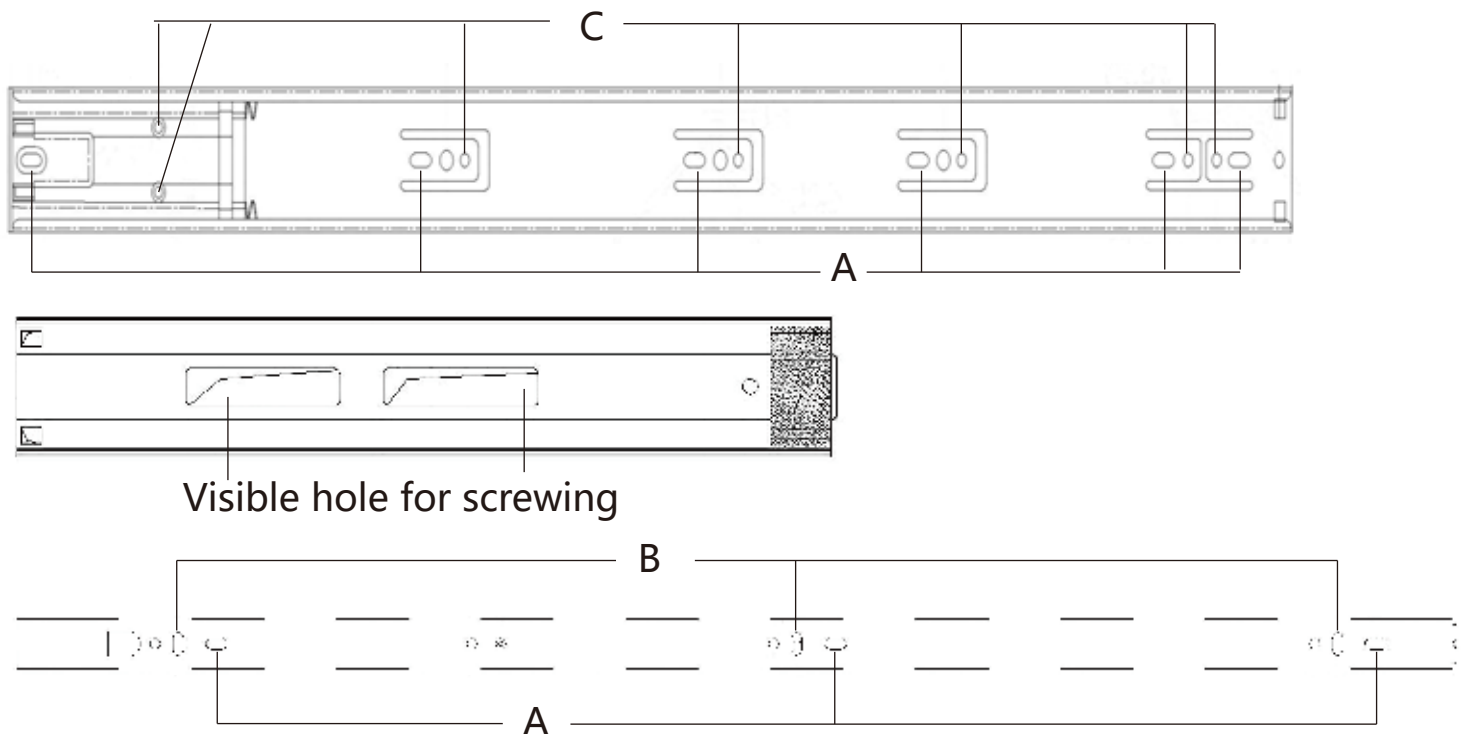
<https://vadania.com/>

Email: [info@vadania.com](mailto:info@vadania.com)



Facebook Page

- **NAME:** VADANIA PUSH TO OPEN DRAWER SLIDES VF1245
- **MATERIAL:** COLD-ROLLED (COLD ROLLED) STEEL
- **INSTALLATION METHOD:** SIDE MOUNT
- **MAXIMUM LOAD CAPACITY:** 100LB / 45KG.
- **MINI DEPTH OF CABINET:** DRAWER LENGTH + 0.12IN / 3MM
- **SURFACE TREATMENT:** GALVANIZED / CHROME
- **SLIDE STYLE:** 3 FOLDS FULL EXTENSION, SIDE MOUNT, SEPARABLE
- **PLATE THICKNESS:** OUTER SLIDER 0.04IN(1.2MM) / MIDDLE SLIDER 0.04IN(1.2MM) / INNER SLIDER 0.06IN(1.5MM)
- **SIZE:** 10-24IN / 250-600MM
- **SCOPE OF APPLICATION:** CIVIL FURNITURE, OFFICE FURNITURE, KITCHEN CABINETS/WARDROBES, ETC



 VADANIA Screws( $\Phi 7\text{mm}/0.27''$ )  
Suitable for A/B/C

A: Lateral adjustment hole ( $\Phi 4.5 \times 10.2\text{mm}/0.18 \times 0.4''$ )

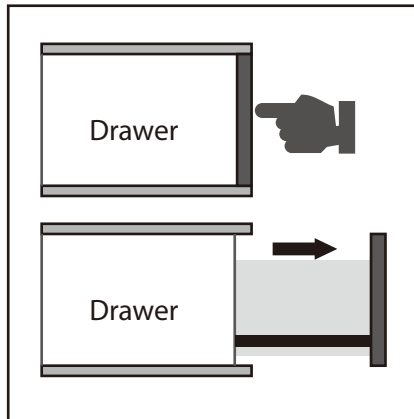
B: Vertical adjustment hole ( $\Phi 4.5 \times 9.5\text{mm}/0.18 \times 0.37''$ )

C: Fix hole ( $\Phi 4.5\text{mm}/0.18''$ )

A\B for fixing and adjusting, C only for fixing.

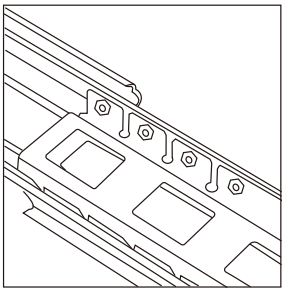
The product has a strong universal design, all the A/B/C holes can be installed screws.

# Product Features



## Push-to-open-Device

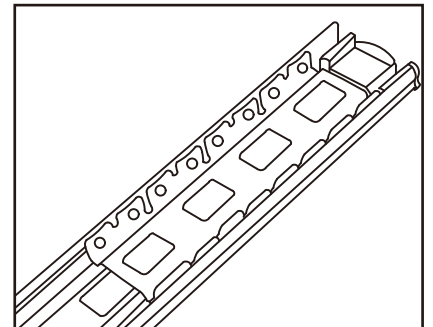
A different choice for installing a drawer, also preventing drawer from slamming shut



Solid steel ball, better bearing capacity

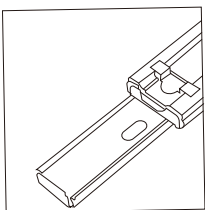
## Solid Ball Bearing

Provides silent and friction-free motion when open drawer



## 3-Fold Slides

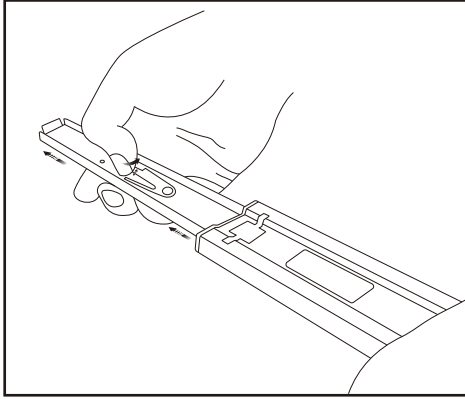
Enable the slides to fully extend



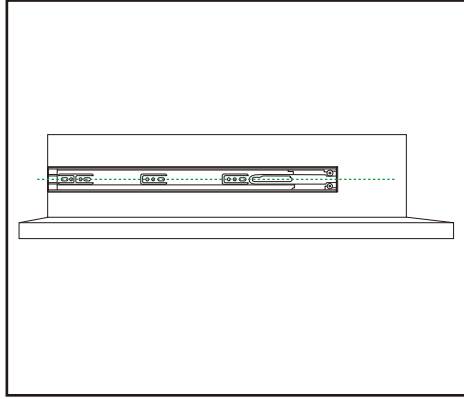
## High Quality Plate

High - tension cold-rolled steel plates, 100,000 times of 100lb push-pull tests without damage.

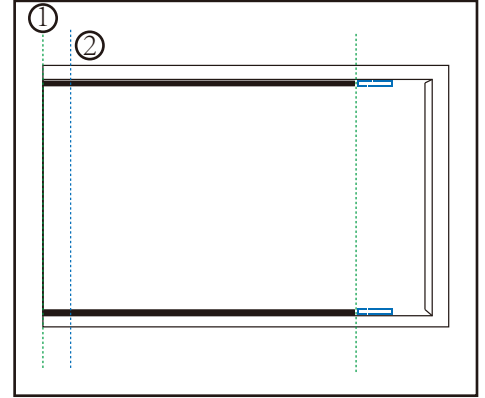
# Installation Instruction



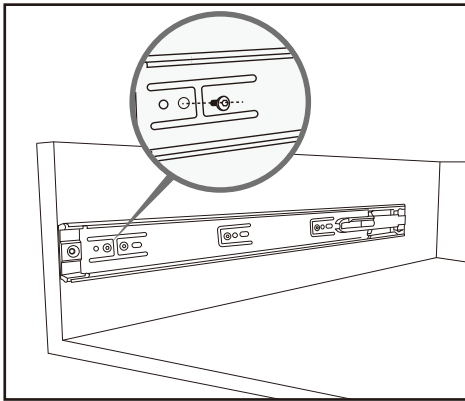
**Step1** Separate drawer and base portion before mounting with provided lever



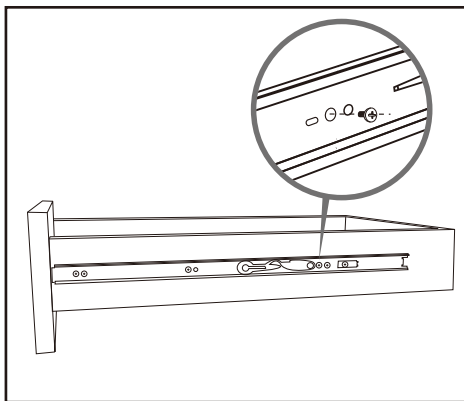
**Step2** Make sure the slides are leveled during the installation process



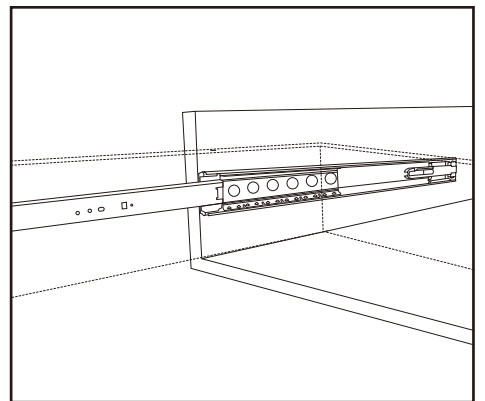
**Step3** ① Frameless Cabinet: Place the outer member flush with the front edge of cabinet  
② The thickness of the drawer panel should be reserved for cabinets with face frames.



**Step4** Mount the screws in the permanent mounting (Breathing) holes

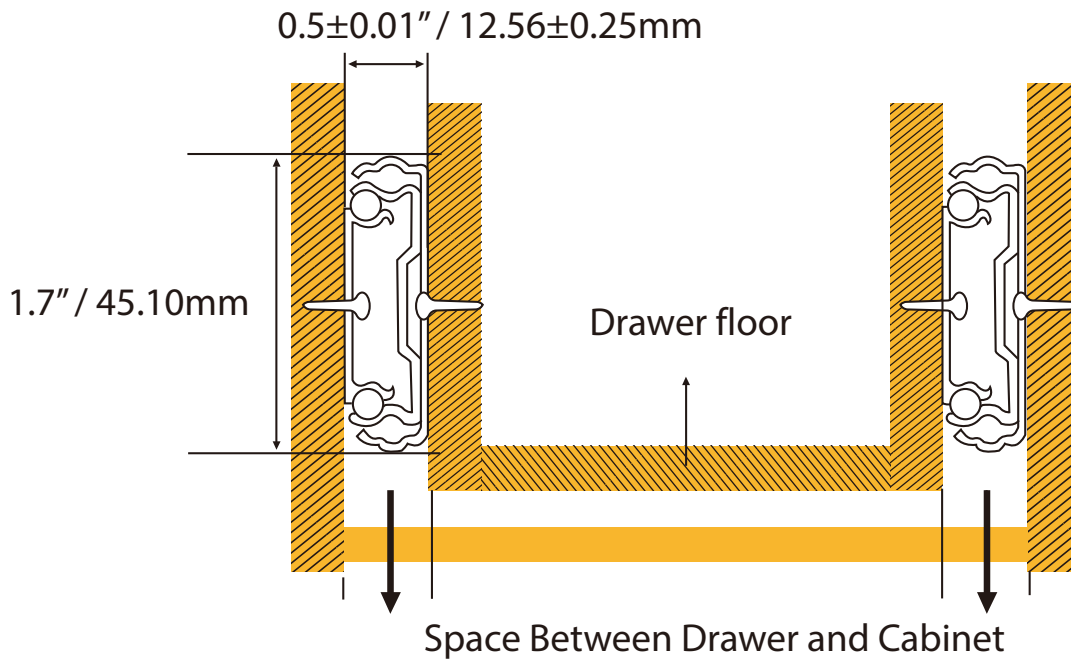


**Step5** Adjust and level the inner member. mount the screws in the permanent mounting holes



**Step6** Move the metal retainer to the front of cabinet member and insert the drawer box carefully.

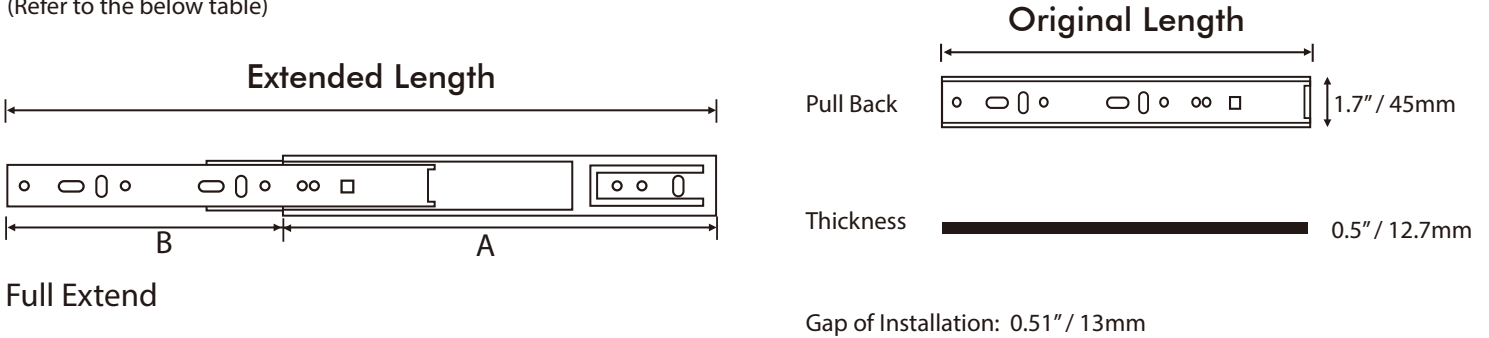
## Installation Precautions



# Size Table

## Dimension

(Refer to the below table)



Item Size	Original Length	Extended Length [A+B]	Width	Thickness
10"/250mm	9.9"/250mm	19[9.9+9.1]"/483[250+233]mm	1.7"/45mm	0.5"/12.7mm
12"/300mm	11.9"/300mm	23.5[11.9+11.6]"/598[300+298]mm		
14"/350mm	13.7"/350mm	27.3[13.7+13.6]"/697[350+347]mm		
16"/400mm	15.7"/400mm	31.3[15.7+15.6]"/796[400+396]mm		
18"/450mm	17.7"/450mm	35.2[17.7+17.5]"/896[450+446]mm		
20"/500mm	19.7"/500mm	39.2[19.7+19.5]"/996[500+496]mm		
22"/550mm	21.7"/550mm	43.2[21.7+21.5]"/1097[550+547]mm		
24"/600mm	23.7"/600mm	47.1[23.7+23.4]"/1194[600+594]mm		

A deviation of 0.2"/5mm may apply to the actual extended length.

## How to Chose Size

Measure the depth of the drawer ( for example, if the depth is 13in/330mm, choose 12in/300mm drawer slides. Deviations of 0.7in/20mm-1in/30mm are suitable)