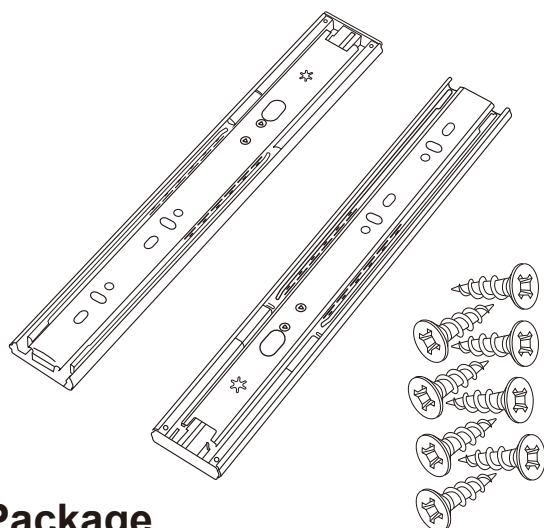


# vadania

Hardware for your life



## Package

1Pair of drawer slide  
8 x Mount screws

## Contact Us

### The official website

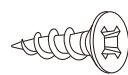
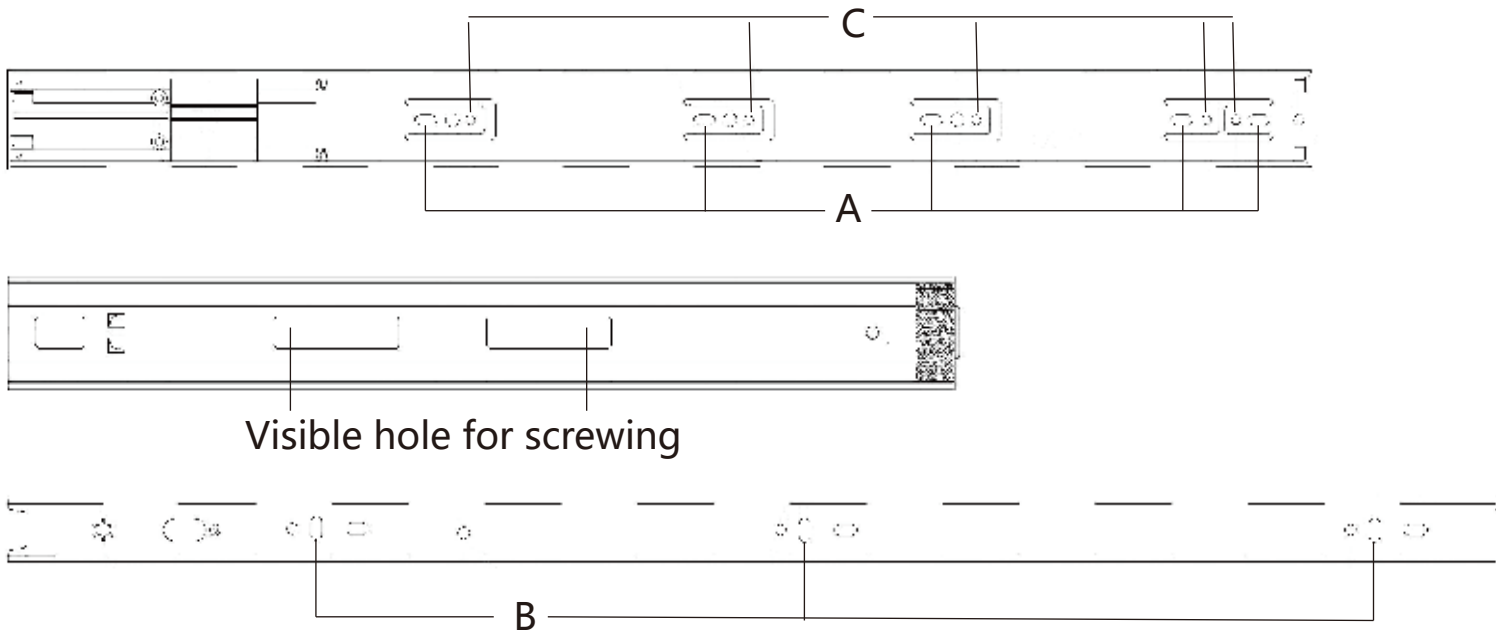
<https://vadania.com/>

Email: [info@vadania.com](mailto:info@vadania.com)



Facebook Page

- **NAME** : VADANIA Soft Close Drawer Slides VK1245
- **MATERIAL**: Cold-Rolled (Cold Rolled) Steel
- **INSTALLATION METHOD**: Side Mount
- **MAXIMUM LOAD CAPACITY**: 100lb / 45kg.
- **MINI DEPTH OF CABINET**: Drawer Length + 0.12in / 3mm
- **SURFACE TREATMENT**: Galvanized / Chrome
- **SLIDE STYLE**: 3 Folds Full Extension, Side Mount, Separable
- **PLATE THICKNESS**: Outer Slider 0.04in(1.2mm) / Middle Slider 0.04in(1.2mm) / Inner Slider 0.06in(1.5mm)
- **SIZE**: 10-24in / 250-600mm
- **SCOPE OF APPLICATION**: Civil Furniture, Office Furniture, Cabinets/Wardrobes, etc



VADANIA Screws( $\Phi 7\text{mm}/0.27''$  )  
Suitable for A/B/C

A: Lateral adjustment hole ( $\Phi 4.5 \times 10.2\text{mm}/0.18 \times 0.4''$  )

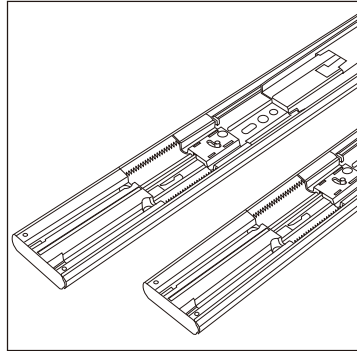
B: Vertical adjustment hole ( $\Phi 4.5 \times 9.5\text{mm}/0.18 \times 0.37''$  )

C: Fix hole ( $\Phi 4.5\text{mm}/0.18''$  )

A\B for fixing and adjusting, C only for fixing.

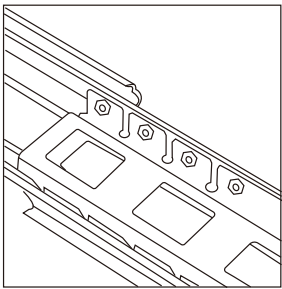
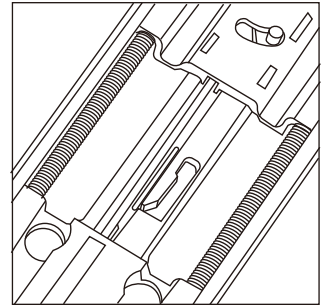
The product has a strong universal design, all the A/B/C holes can be installed screws.

# Product Features



## Hydraulic Cylinder

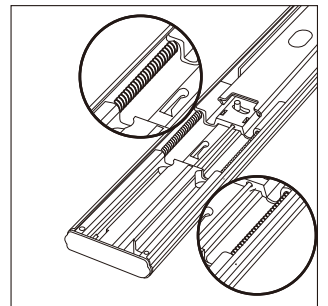
Hydraulic Soft/Self Close feature designed for preventing drawer from slamming shut



Solid steel ball, better bearing capacity

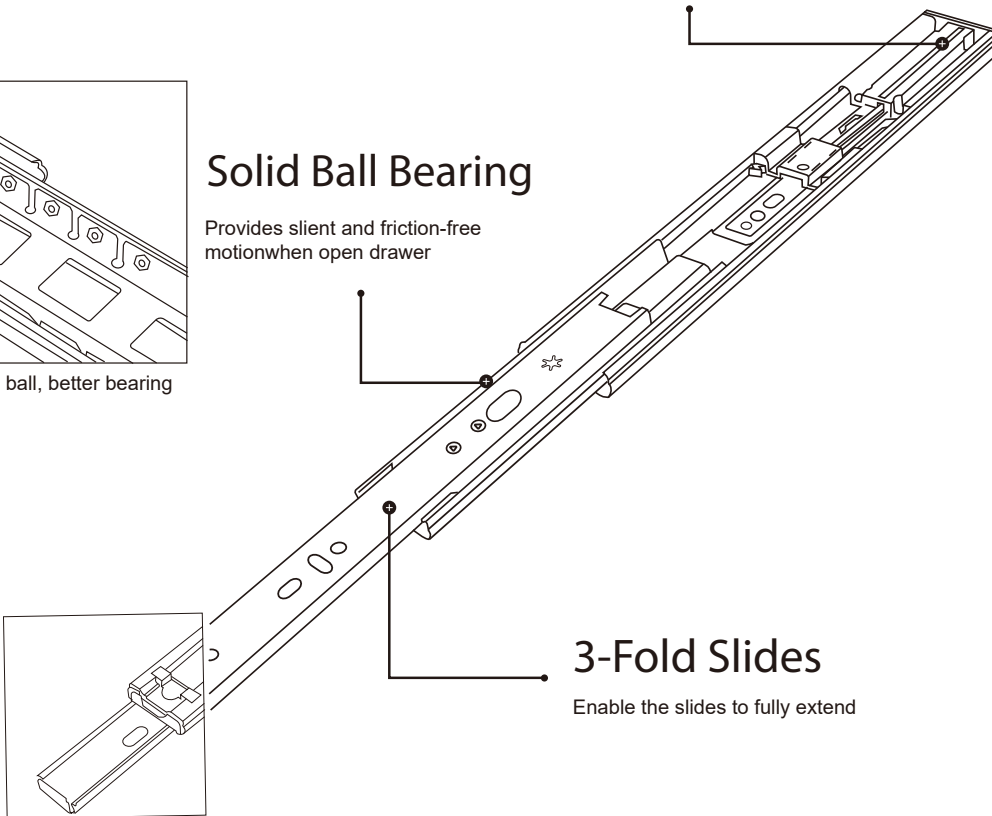
## Solid Ball Bearing

Provides silent and friction-free motion when open drawer



## Double Spring Design

Makes it easier to pull back and smoother than single spring when bearing load.



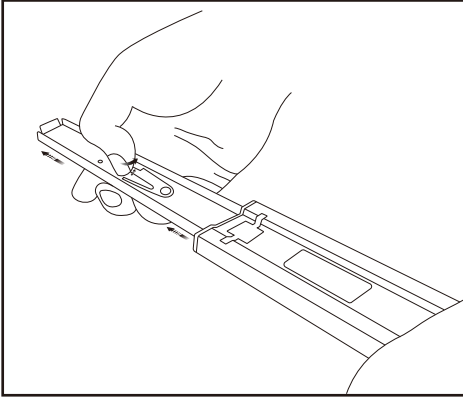
## 3-Fold Slides

Enable the slides to fully extend

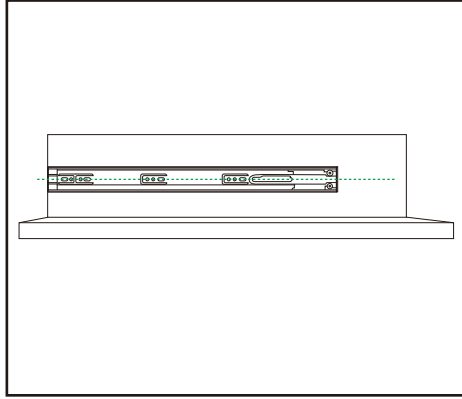
## High Quality Plate

High - tension cold-rolled steel plates, 100,000 times of 100lb push-pull tests without damage.

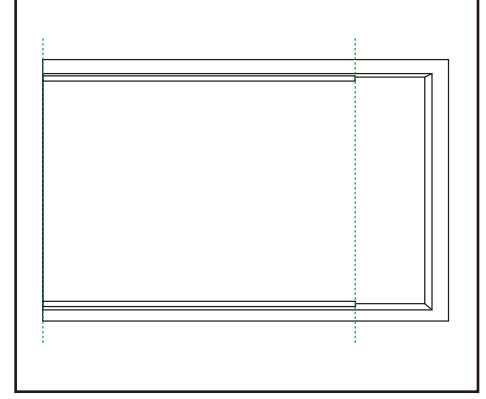
# Installation Instruction



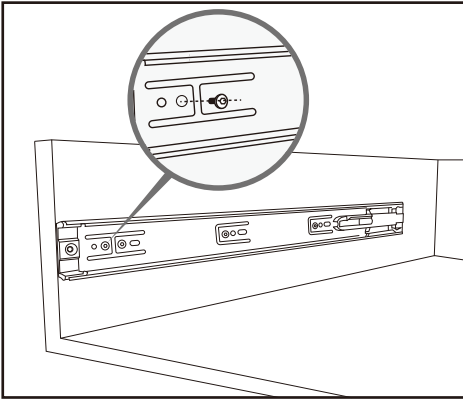
**Step1** Separate drawer and base portion before mounting with provided lever



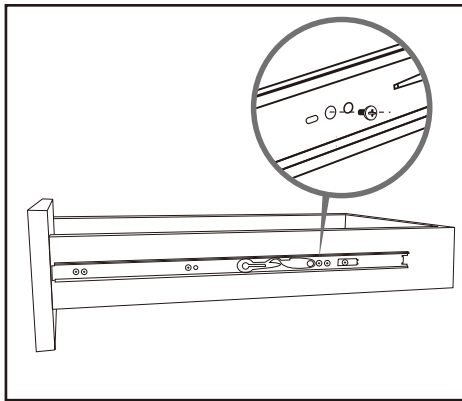
**Step2** Make sure the slides are leveled during the installation process



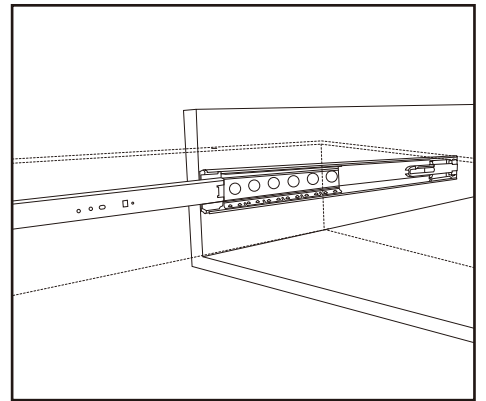
**Step3** Place the outer member flush with the front edge of cabinet



**Step4** Mount the screws in the permanent mounting (Breathing) holes

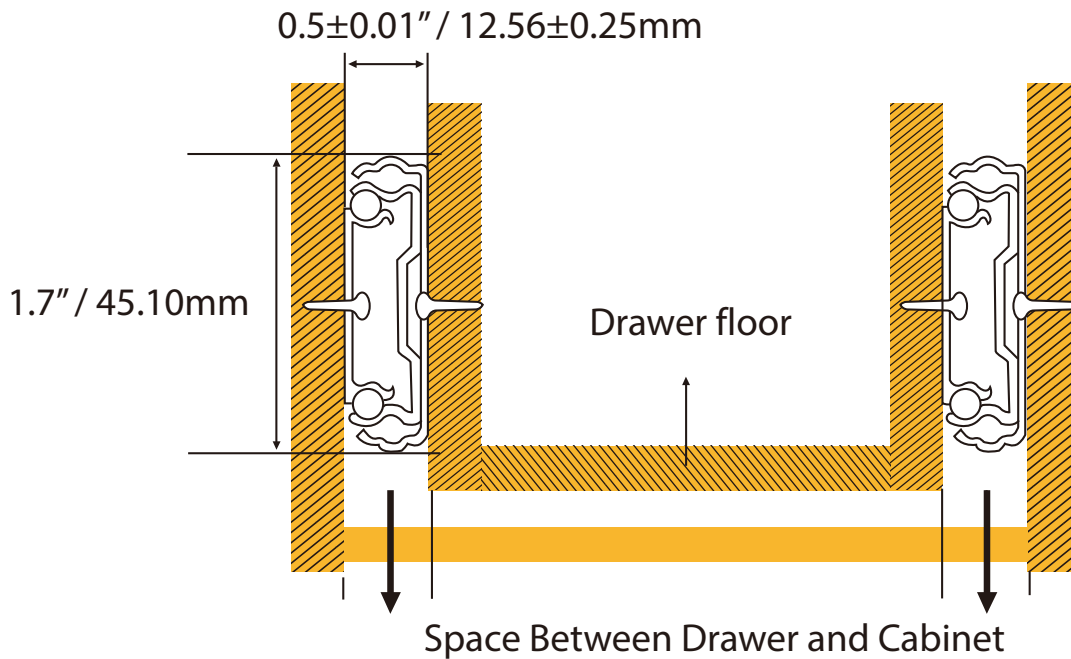


**Step5** Adjust and level the inner member. mount the screws in the permanent mounting holes



**Step6** Move the metal retainer to the front of cabinet member and insert the drawer box carefully.

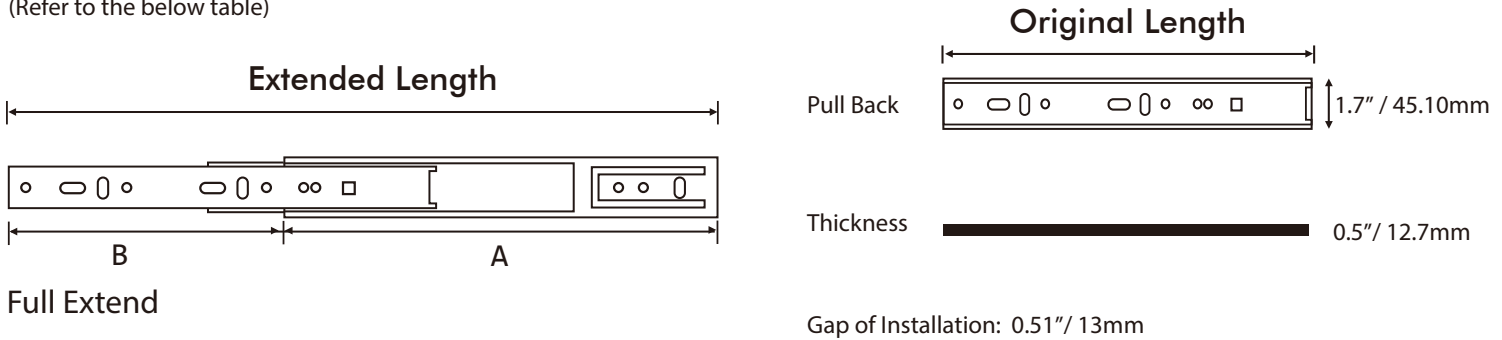
## Installation Precautions



# Size Table

## Dimension

(Refer to the below table)



Item Size	Original Length	Extended Length [A+B]	Width	Thickness
10"/250mm	9.8"/250mm	15.5[9.8+5.7]"/396[250+146]mm	1.7"/45.10mm	0.5"/12.7mm
12"/300mm	11.8"/300mm	21.5[11.8+9.7]"/546[300+246]mm		
14"/350mm	13.7"/350mm	26[13.7+12.3]"/663[350+313]mm		
16"/400mm	15.7"/400mm	30.6[15.7+14.9]"/780[400+380]mm		
18"/450mm	17.7"/450mm	35.2[17.7+17.5]"/896[450+446]mm		
20"/500mm	19.7"/500mm	39.2[19.7+19.5]"/996[500+496]mm		
22"/550mm	21.7"/550mm	43.1[21.7+21.4]"/1095[550+545]mm		
24"/600mm	23.7"/600mm	47[23.7+23.3]"/1193[600+593]mm		

A deviation of 0.2"/5mm may apply to the actual extended length.

## How to Chose Size

Measure the depth of the drawer ( for example, if the depth is 13in/330mm, choose 12in/300mm drawer slides. Deviations of 0.7in/20mm-1in/30mm are suitable)