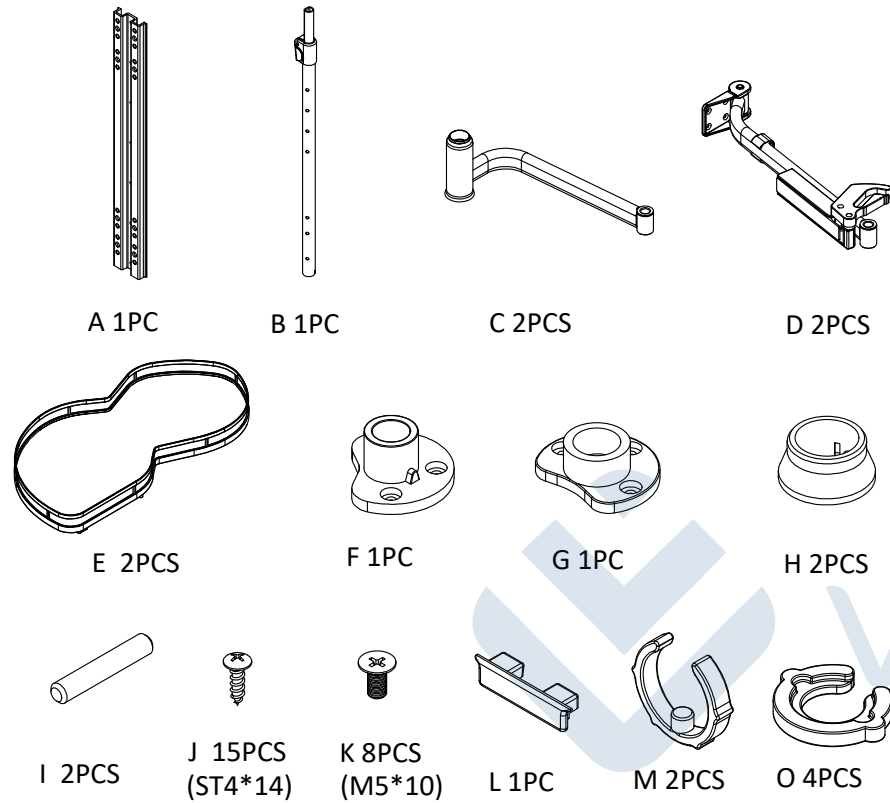
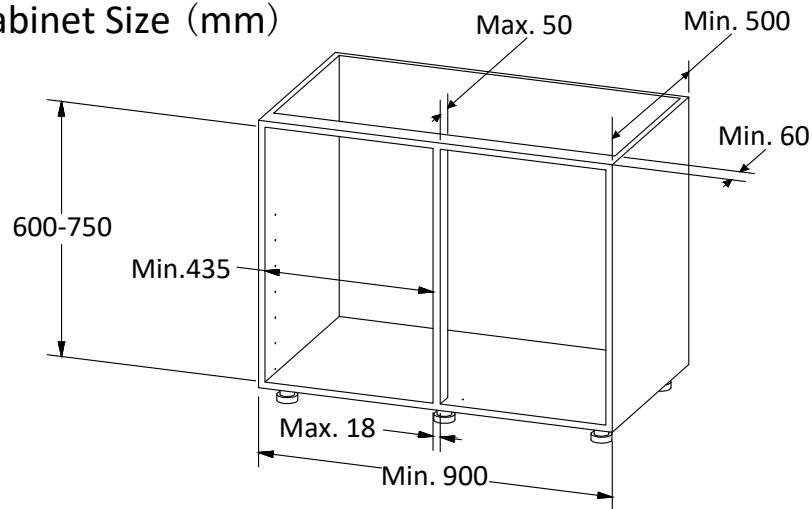


Fixing Instruction for Swing Corner - Left Opening

1.Components

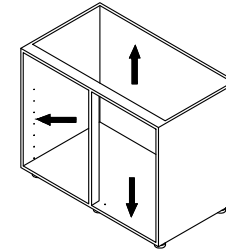
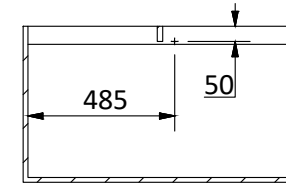
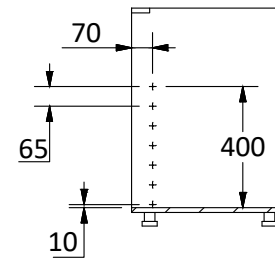


2.Cabinet Size (mm)

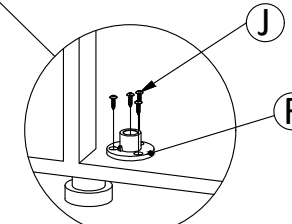
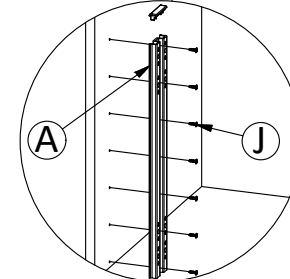
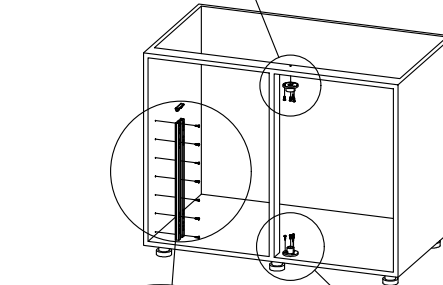
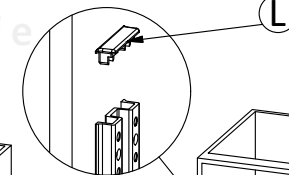
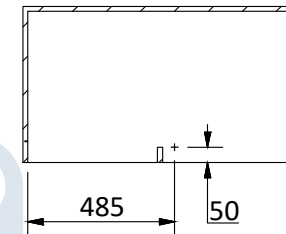
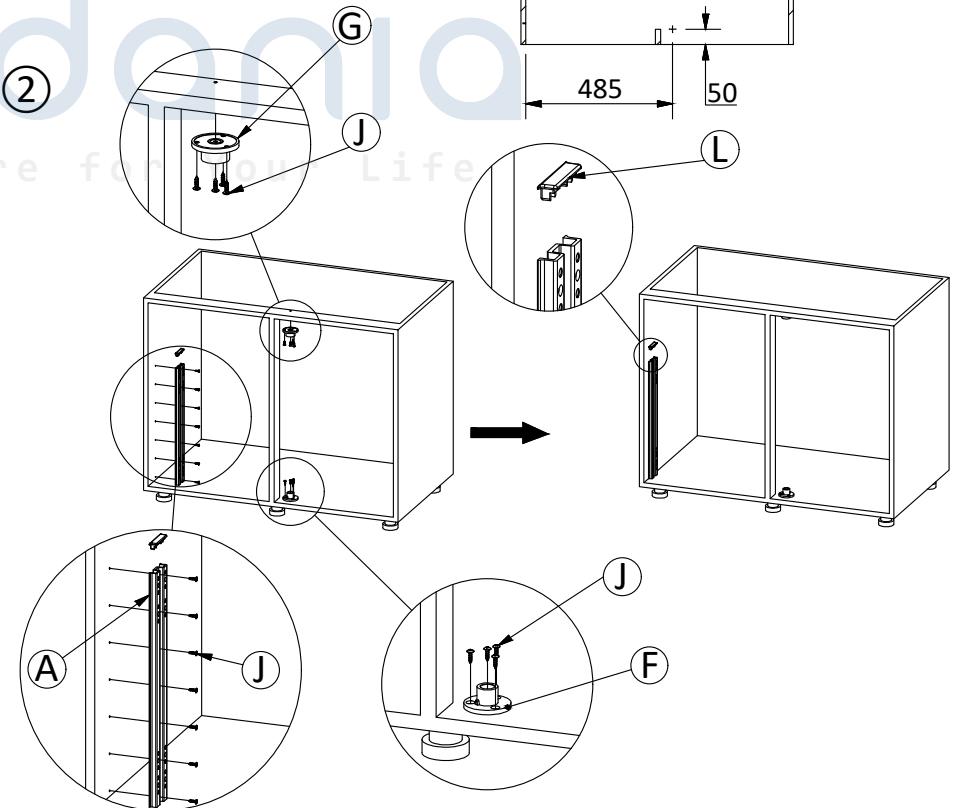


3.Fitting Steps (mm)

①



②



Fixing Instruction for Swing Corner - Left Opening

