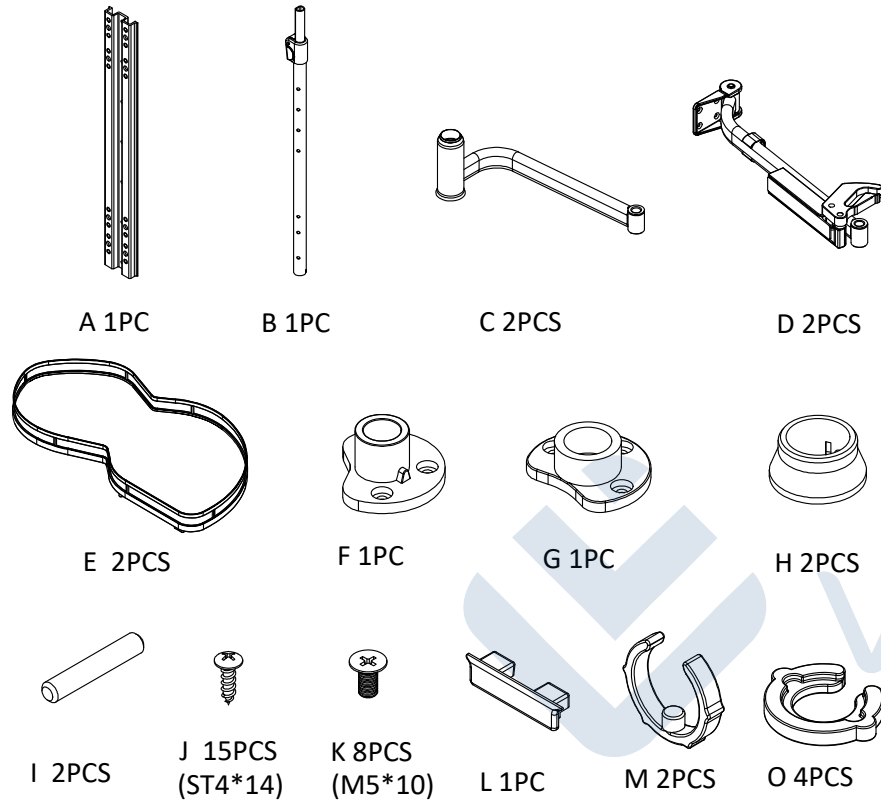
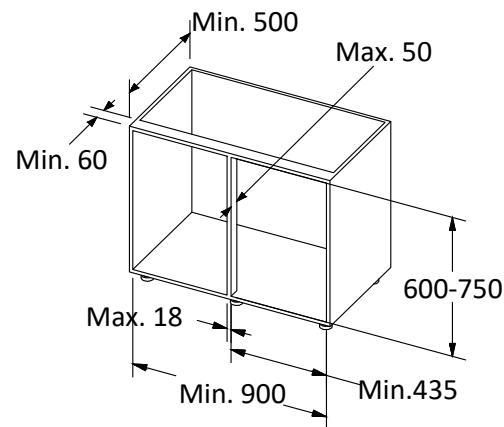


Fixing Instruction for Swing Corner - Right Opening

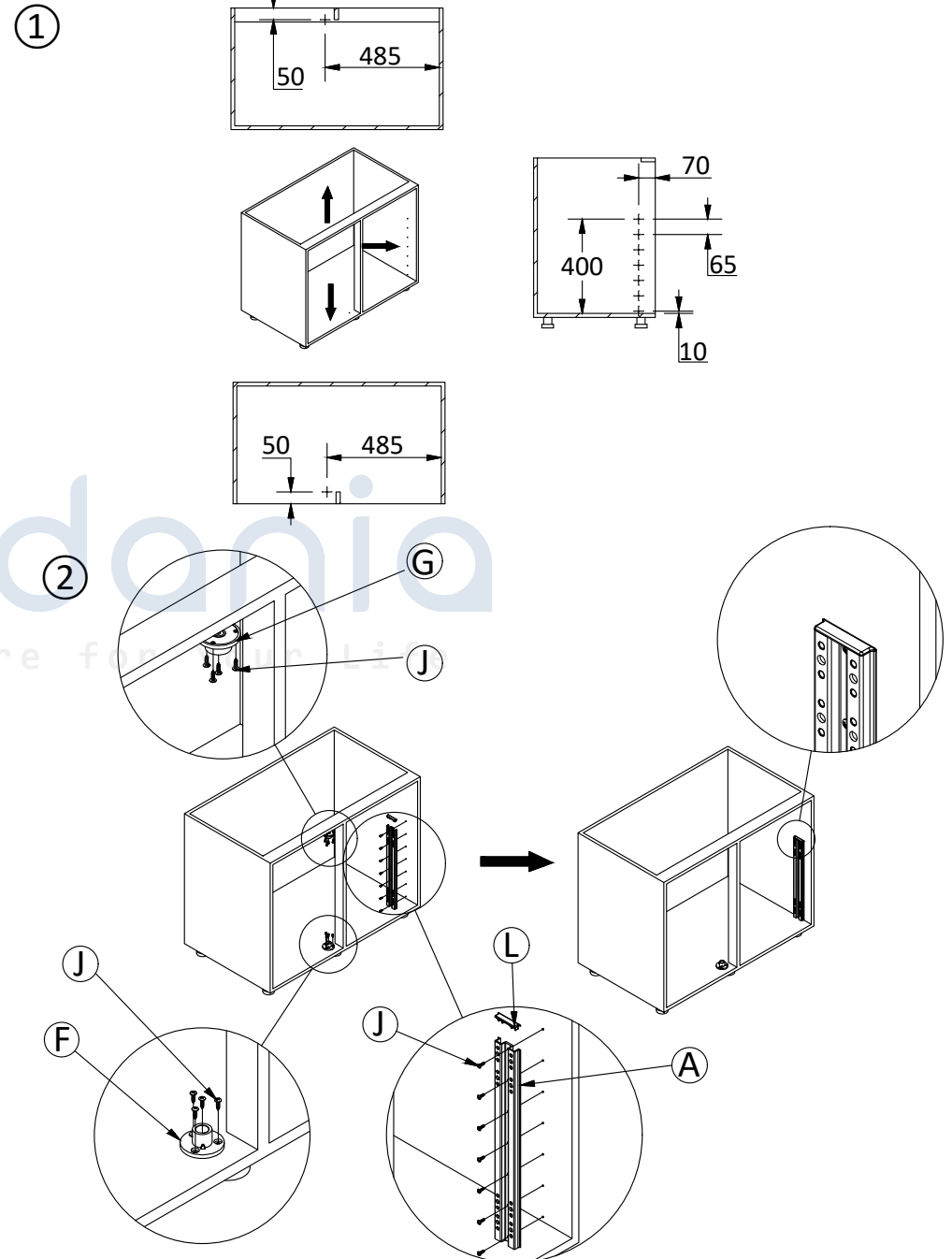
1.Components



2.Cabinet Size (mm)



3.Fitting Steps (mm)



Fixing Instruction for Swing Corner - Right Opening

