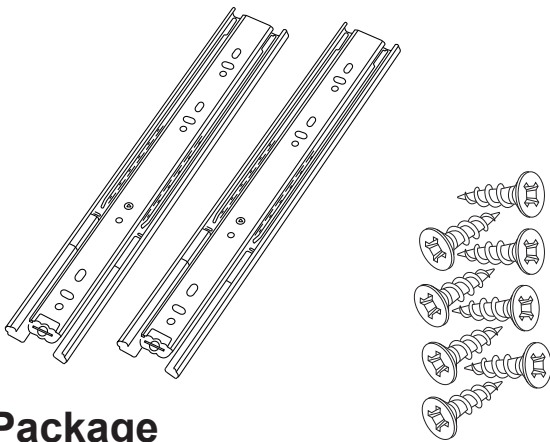


vadania

Hardware for your life



Package

1Pair of drawer slide
8 x Mount screws

Contact Us

The official website

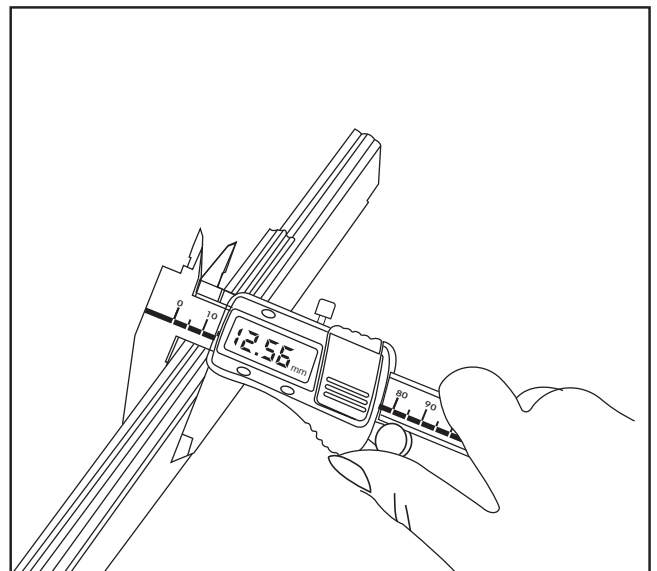
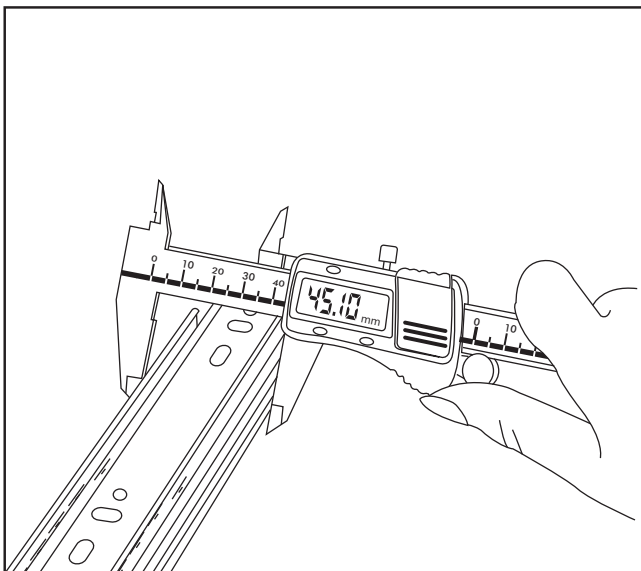
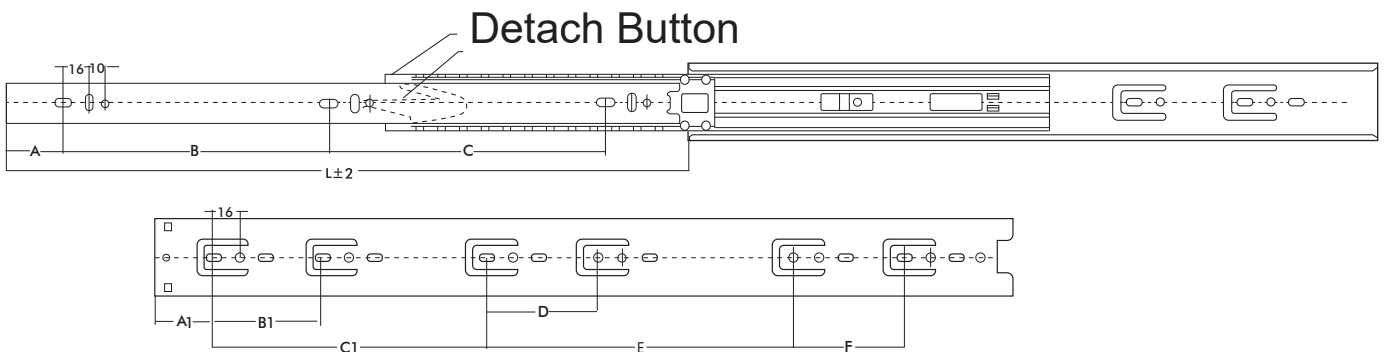
<https://vadania.com/>

Email: info@vadania.com

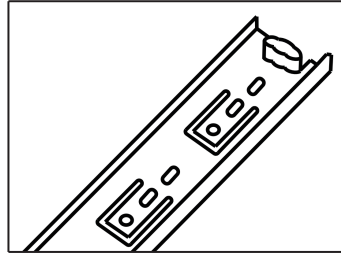


Facebook Page

- **NAME :** VADANIA Drawer Slides VA1245
- **MATERIAL:** Cold-Rolled (Cold Rolled) Steel
- **INSTALLATION METHOD:** Side Mount
- **MAXIMUM LOAD CAPACITY:** 100lb / 45kg.
- **MINI DEPTH OF CABINET:** Drawer Length + 0.12in / 3mm
- **SURFACE TREATMENT:** Galvanized / Electrophoretic Black
- **SLIDE STYLE:** 3 Folds Full Extension, Side Mount, Separable
- **PLATE THICKNESS:** Outer Slider 0.04in(1.2mm) / Middle Slider 0.04in(1.2mm) / Inner Slider 0.06in(1.5mm)
- **SIZE:** 8-24in / 200-600mm
- **SCOPE OF APPLICATION:** Civil Furniture, Office Furniture, Cabinets/Wardrobes, etc

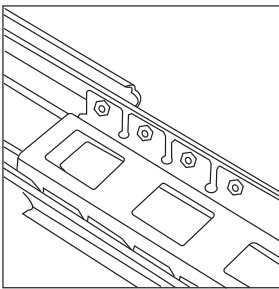


Product Features



Galvanizing Treatment

Prevent oxidation and rust, keep clean and durable.



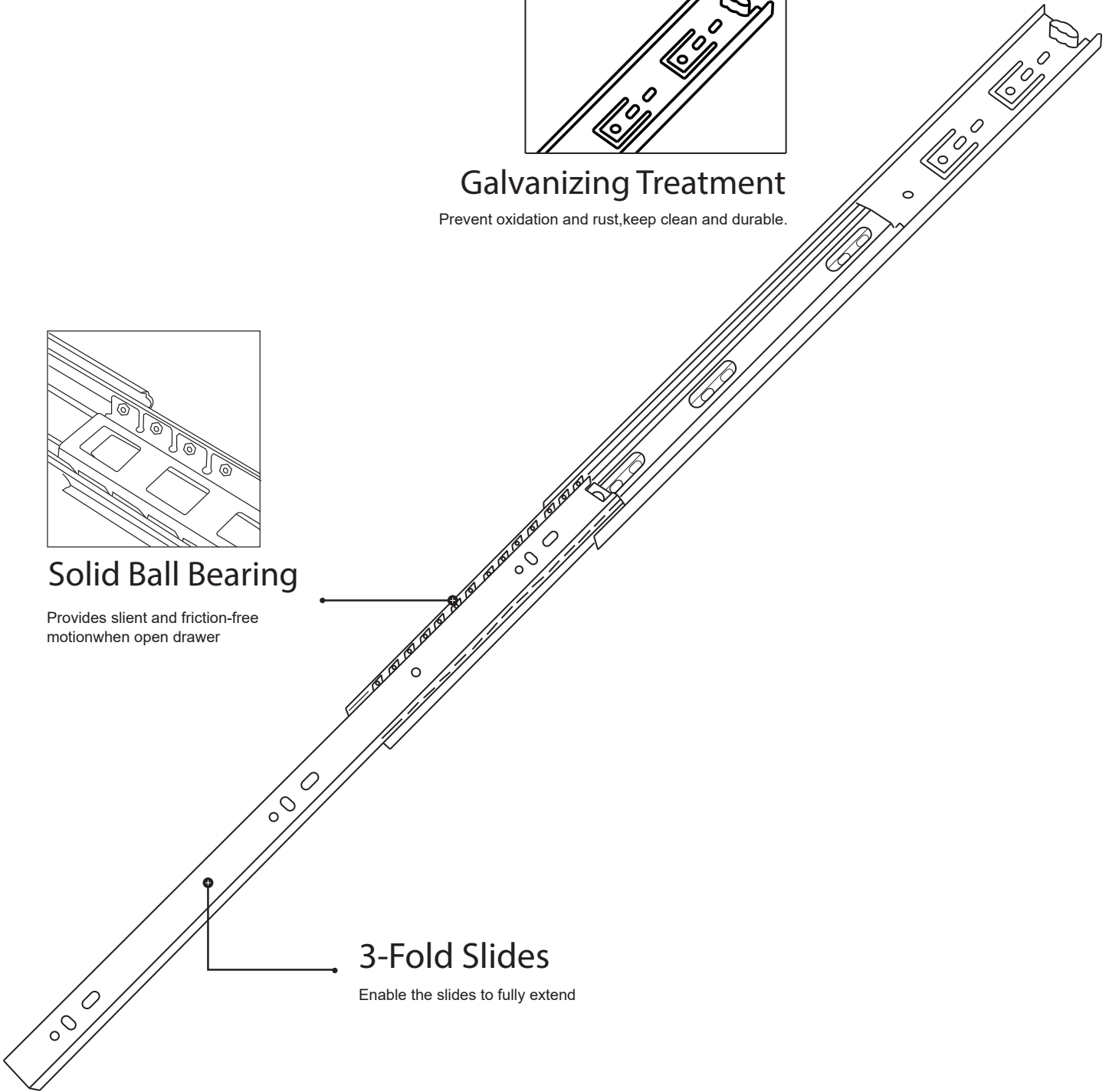
Solid Ball Bearing

Provides silent and friction-free motion when open drawer

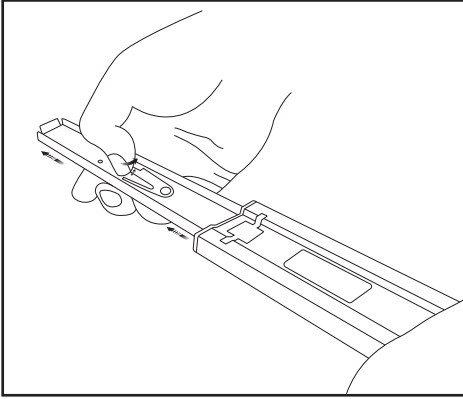


3-Fold Slides

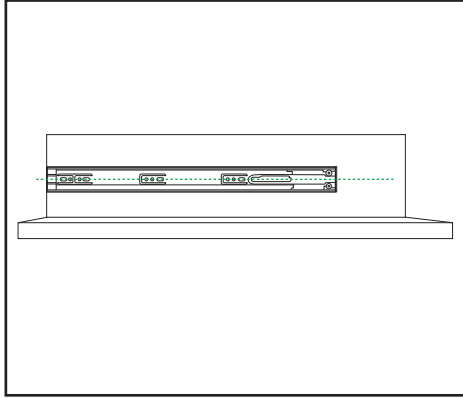
Enable the slides to fully extend



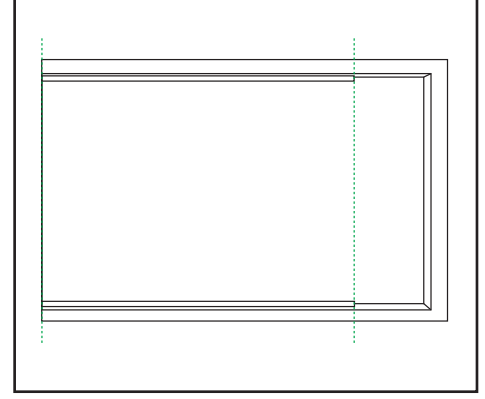
Installation Instruction



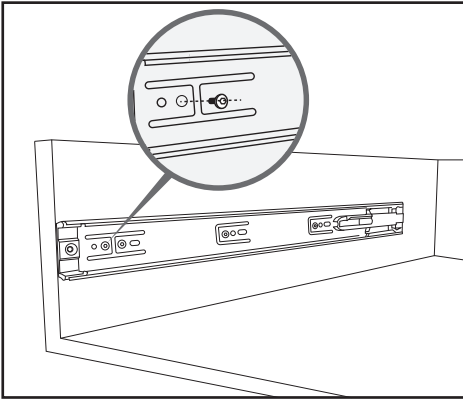
Step1 Separate drawer and base portion before mounting with provided lever



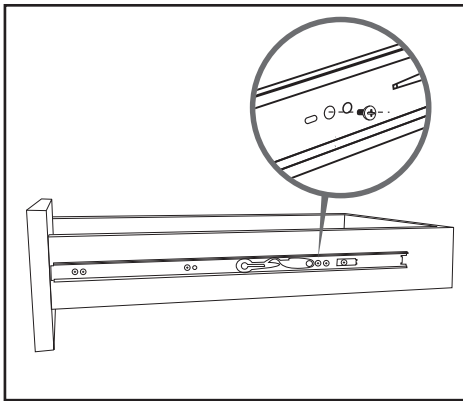
Step2 Make sure the slides are leveled during the installation process



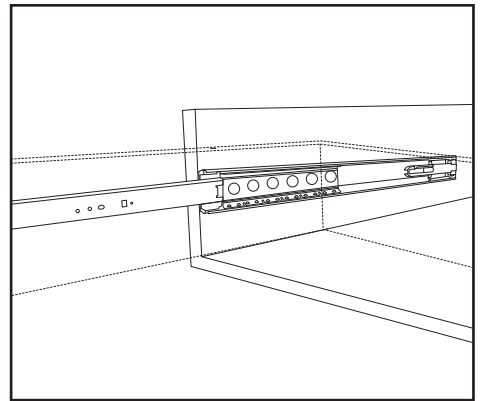
Step3 Place the outer member flush with the front edge of cabinet



Step4 Mount the screws in the permanent mounting (Breathing) holes

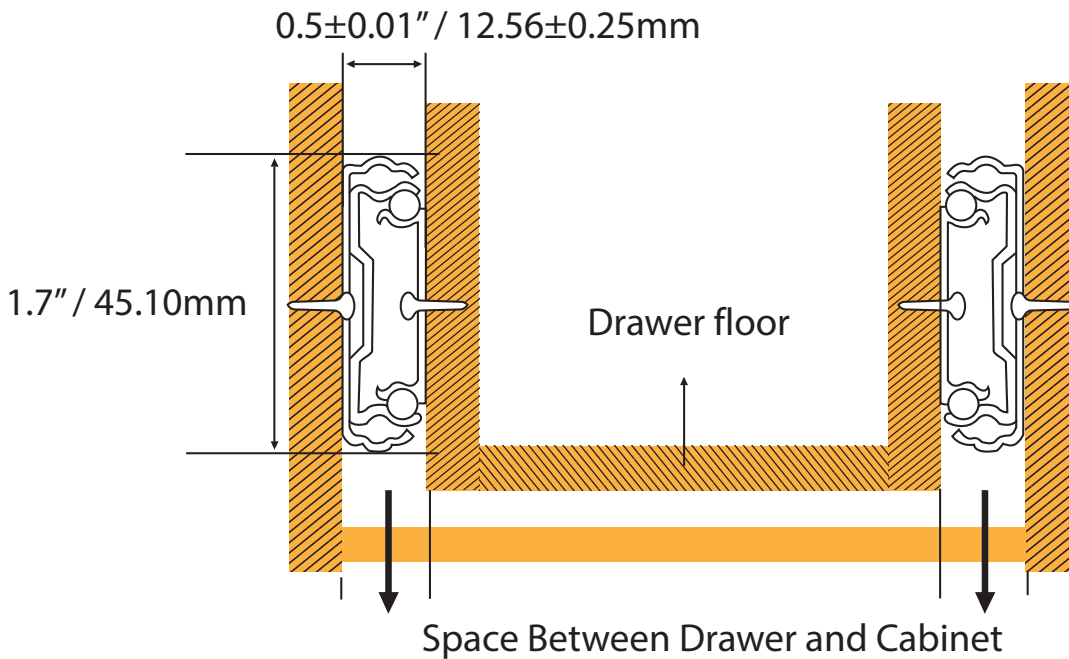


Step5 Adjust and level the inner member. mount the screws in the permanent mounting holes



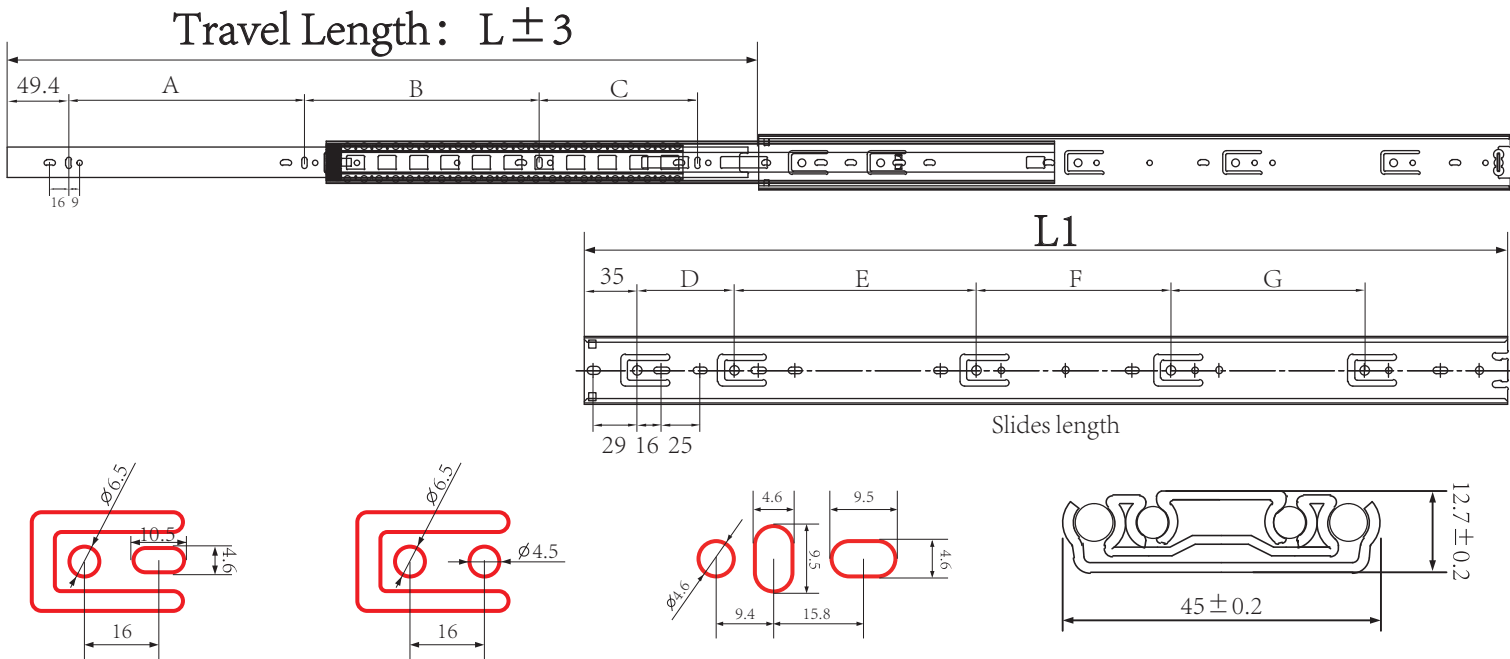
Step6 Move the metal retainer to the front of cabinet member and insert the drawer box carefully.

Installation Precautions



Size Table

Dimension



Size	Slide Length(L1)	Slide Travel(L)	Width	Thickness	Screws Holes Position						
					A	B	C	D	E	F	G
8"/200mm	8.2"/204mm	7.7"/198mm	1.7"/45mm	0.5"/12.7mm	5"/127mm			5"/128mm			
10"/250mm	10"/254mm	10"/254mm			6.7"/170.5mm			2.5"/64mm	3.7"/96mm		
12"/300mm	12"/304.8mm	12"/307mm			2.5"/64mm	6.2"/160mm		2.5"/64mm	3.7"/96mm	2.5"/64mm	
14"/350mm	14"/355mm	13.9"/355mm			7.5"/192mm	2.5"/64mm		2.5"/64mm	3.7"/96mm	2.5"/64mm	
16"/400mm	16"/406.4mm	16"/407mm			3.7"/96mm	8.8"/224mm		2.5"/64mm	6.2"/160mm	2.5"/64mm	
18"/450mm	18"/457.2mm	17.9"/455mm			5"/128mm	8.8"/224mm		2.5"/64mm	6.2"/160mm	5"/128mm	
20"/500mm	20"/508mm	20"/508mm			6.2"/160mm	10"/256mm		2.5"/64mm	5"/128mm	6.2"/160mm	2.5"/64mm
22"/550mm	22"/558.8mm	22"/560mm			7.5"/192mm	10"/256mm		2.5"/64mm	6.2"/160mm	5"/128mm	2.5"/64mm
24"/600mm	24"/609.6mm	24"/610mm			7.5"/192mm	7.5"/192mm	5"/128mm	2.5"/64mm	6.2"/160mm	5"/128mm	5"/128mm

A deviation of 0.2"/5mm may apply to the actual extended length.

How to Chose Size

Measure the depth of the drawer (for example, if the depth is 13in/330mm, choose 12in/300mm drawer slides. Deviations of 0.7in/20mm-1in/30mm are suitable)