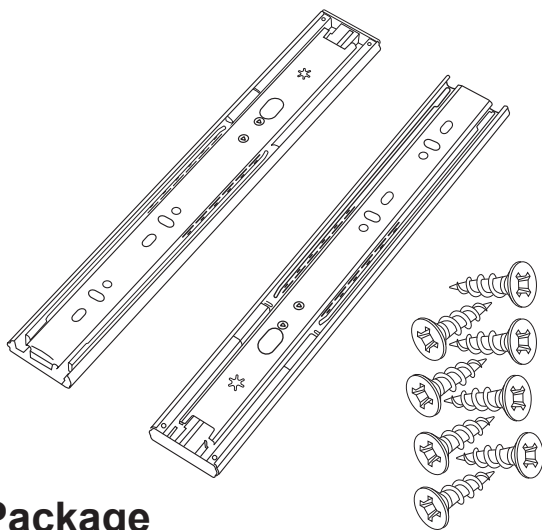


vadania

Hardware for your life



Package

1Pair of drawer slide
8 x Mount screws

Contact Us

The official website

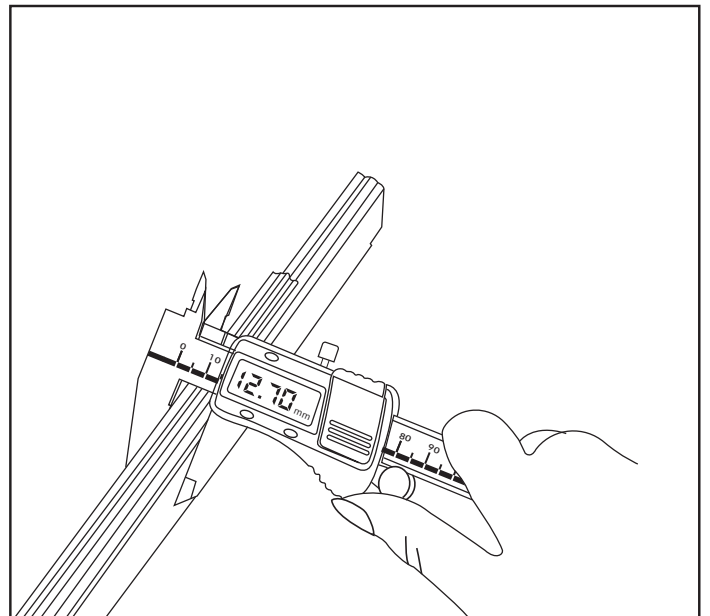
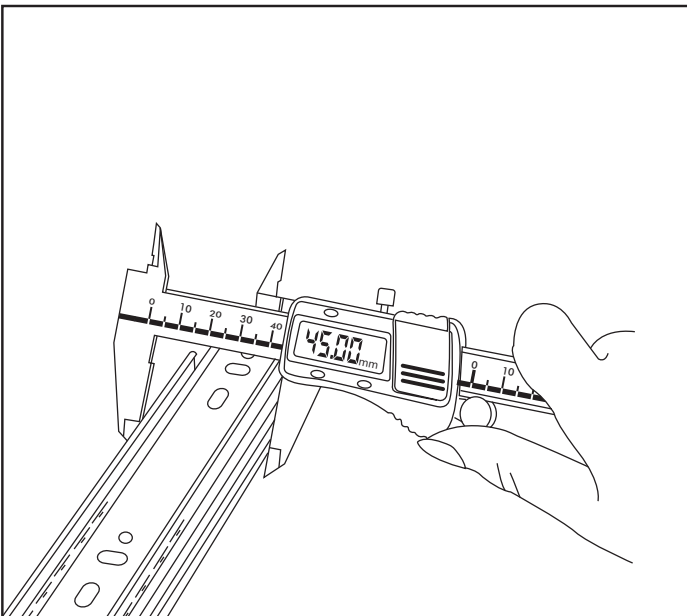
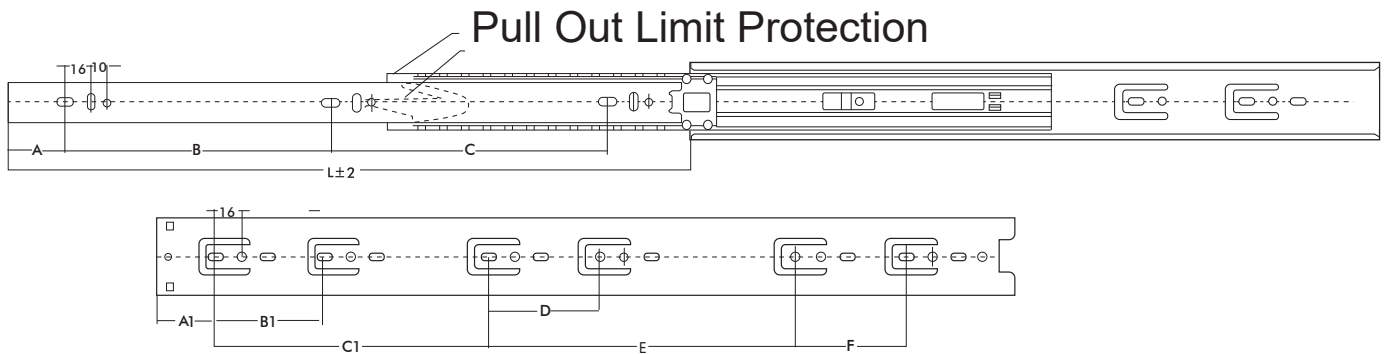
<https://vadania.com/>

Email: info@vadania.com

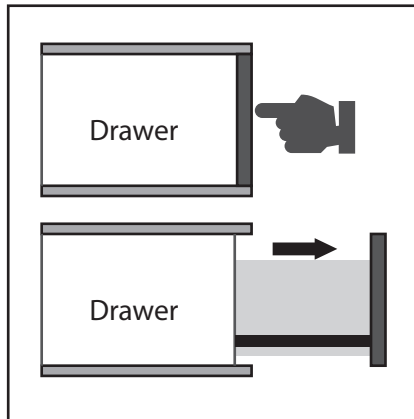


Facebook Page

- **NAME:** VADANIA PUSH TO OPEN DRAWER SLIDES VF1245
- **MATERIAL:** COLD-ROLLED (COLD ROLLED) STEEL
- **INSTALLATION METHOD:** SIDE MOUNT
- **MAXIMUM LOAD CAPACITY:** 100LB / 45KG.
- **MINI DEPTH OF CABINET:** DRAWER LENGTH + 0.12IN / 3MM
- **SURFACE TREATMENT:** GALVANIZED / ELECTROPHORETIC BLACK
- **SLIDE STYLE:** 3 FOLDS FULL EXTENSION, SIDE MOUNT, SEPARABLE
- **PLATE THICKNESS:** OUTER SLIDER 0.04IN(1.2MM) / MIDDLE SLIDER 0.04IN(1.2MM) / INNER SLIDER 0.06IN(1.5MM)
- **SIZE:** 10-24IN / 250-600MM
- **SCOPE OF APPLICATION:** CIVIL FURNITURE, OFFICE FURNITURE, KITCHEN CABINETS/WARDROBES, ETC

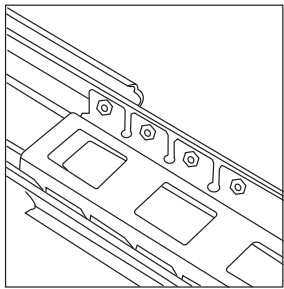


Product Features



Push-to-open-Device

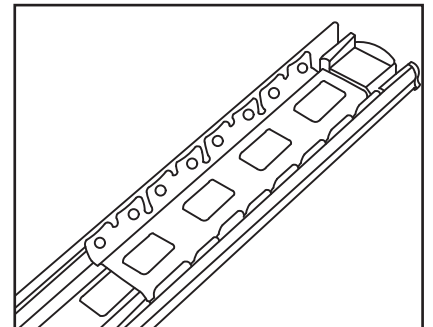
A different choice for installing a drawer, also preventing drawer from slamming shut



Solid steel ball, better bearing capacity

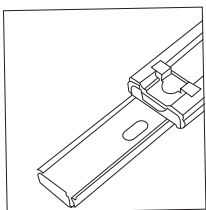
Solid Ball Bearing

Provides silent and friction-free motion when open drawer



3-Fold Slides

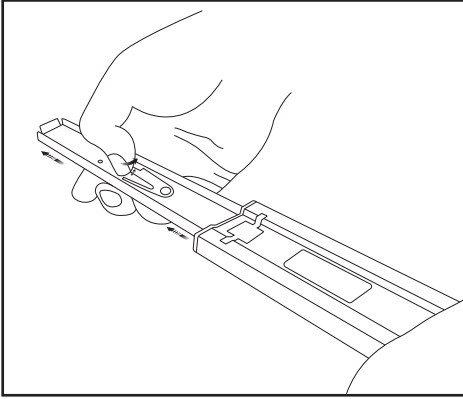
Enable the slides to fully extend



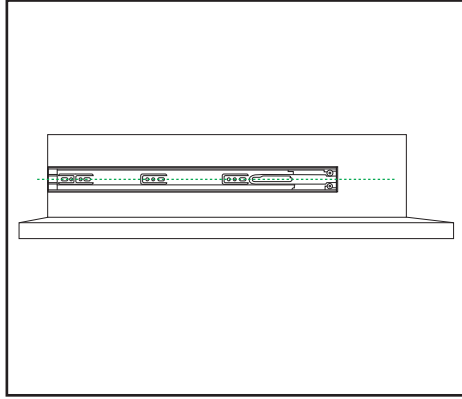
High Quality Plate

High - tension cold-rolled steel plates, 100,000 times of 100lb push-pull tests without damage.

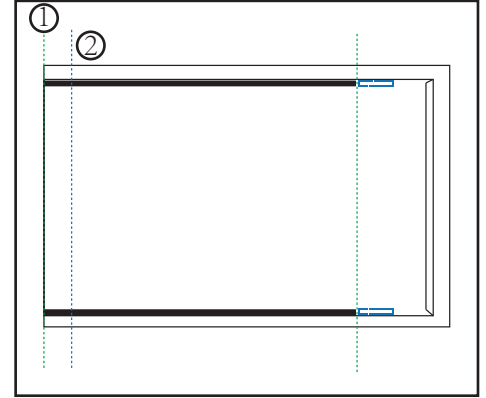
Installation Instruction



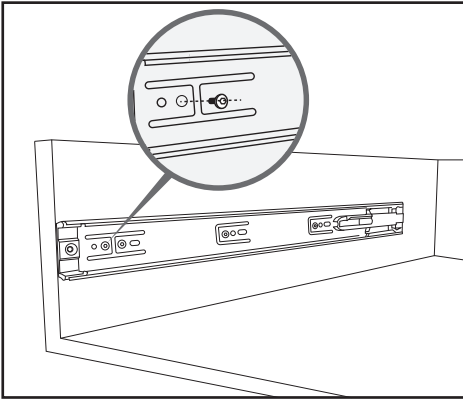
Step1 Separate drawer and base portion before mounting with provided lever



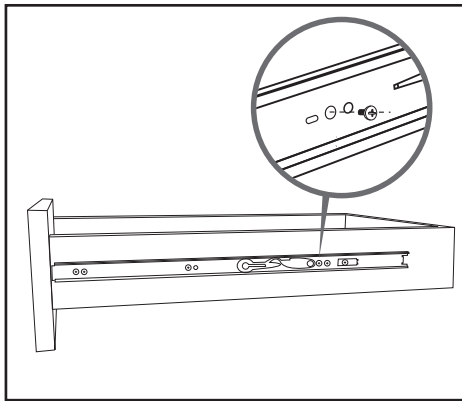
Step2 Make sure the slides are leveled during the installation process



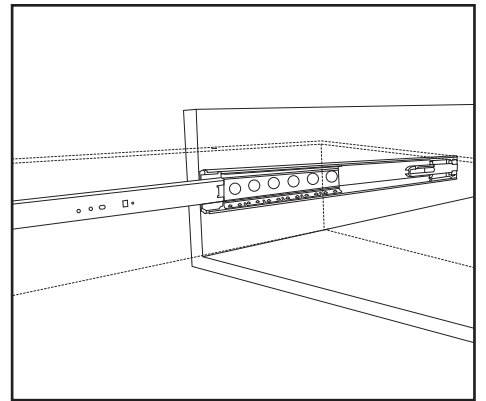
Step3 ① Frameless Cabinet: Place the outer member flush with the front edge of cabinet
② The thickness of the drawer panel should be reserved for cabinets with face frames.



Step4 Mount the screws in the permanent mounting (Breathing) holes

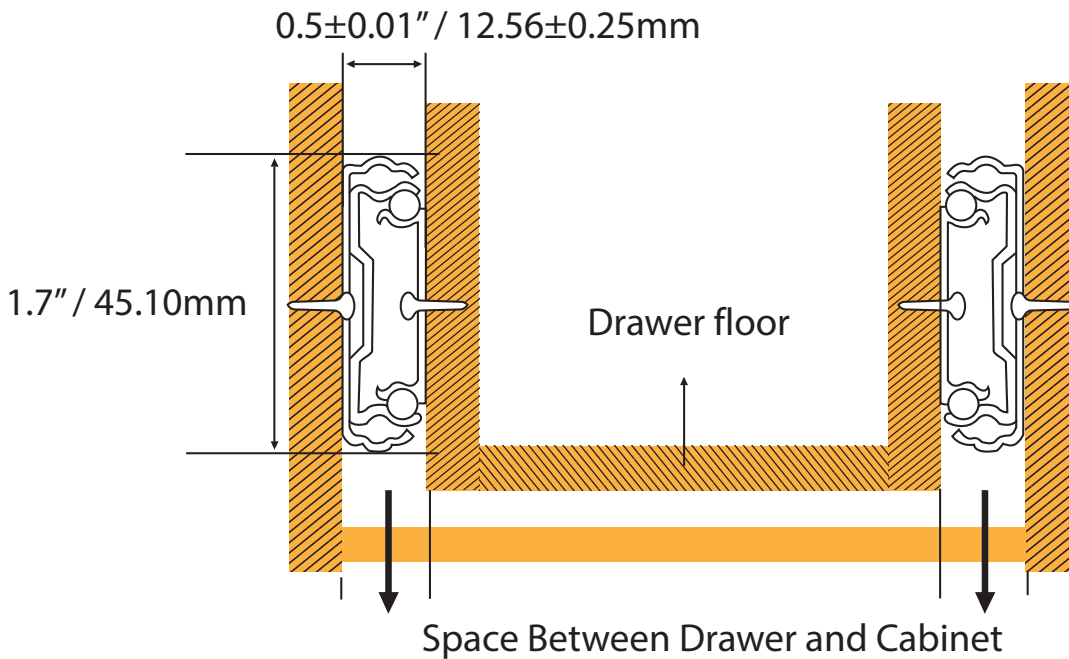


Step5 Adjust and level the inner member. mount the screws in the permanent mounting holes



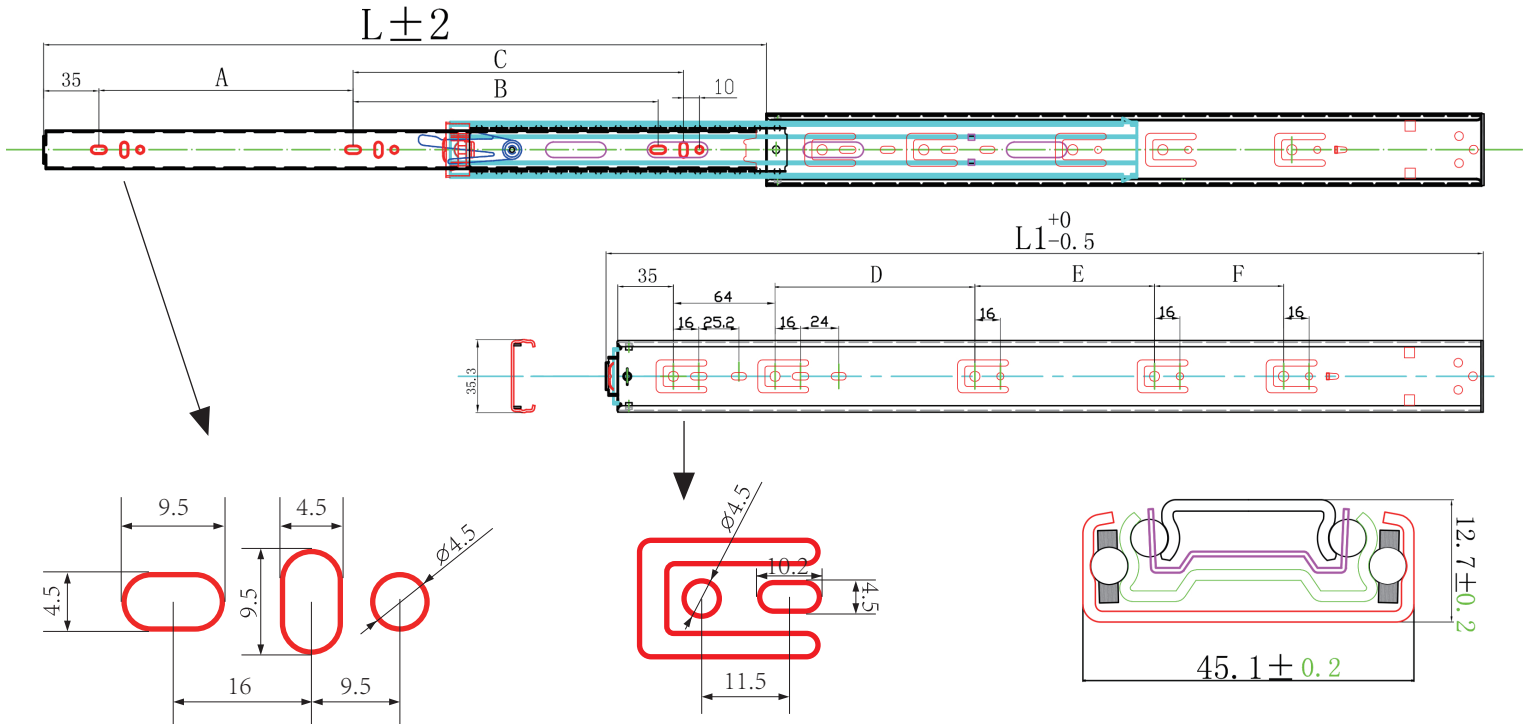
Step6 Move the metal retainer to the front of cabinet member and insert the drawer box carefully.

Installation Precautions



Size Table

Dimension



Size	Slide Length(L1)	Slide Travel(L)	Width	Thickness	Screws Holes Position					
					A	B	C	D	E	F
10"/250mm	10"/250mm	10"/250mm	1.7"/45mm	0.5"/12.7mm	5.6"/144mm		2.5"/64mm			
12"/300mm	12"/300mm	12"/300mm			7.5"/192mm			2.5"/64mm		
14"/350mm	14"/350mm	14"/350mm			3.7"/96mm	5"/128mm	5.6"/144mm	3.7"/96mm		
16"/400mm	16"/400mm	16"/400mm			5"/128mm	6.2"/160mm		3.7"/96mm	2.5"/64mm	
18"/450mm	18"/450mm	18"/450mm			6.2"/160mm	6.2"/160mm	6.9"/176mm	3.7"/96mm	3.7"/96mm	
20"/500mm	20"/500mm	20"/500mm			7.5"/192mm	6.2"/160mm	6.9"/176mm	5"/128mm	5"/128mm	
22"/550mm	22"/550mm	22"/550mm			7.5"/192mm	8.8"/224mm	9.4"/240mm	6.2"/160mm	5"/128mm	
24"/600mm	24"/600mm	24"/600mm			8.8"/224mm	8.8"/224mm	9.4"/240mm	5"/128mm	5"/128mm	3.7"/96mm

A deviation of 0.2"/5mm may apply to the actual extended length.

How to Chose Size

Measure the depth of the drawer (for example, if the depth is 13in/330mm, choose 12in/300mm drawer slides. Deviations of 0.7in/20mm-1in/30mm are suitable)