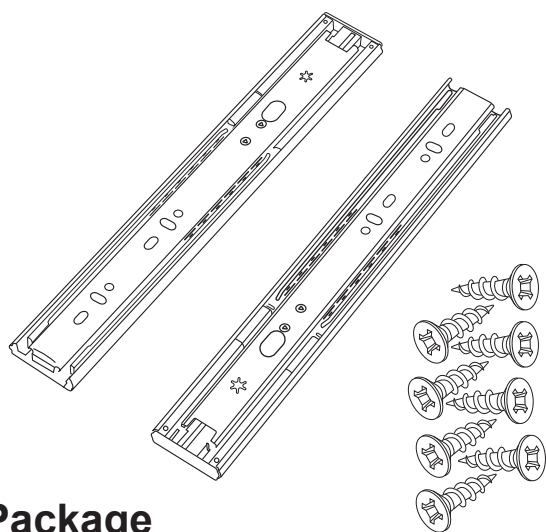


vadania

Hardware for your life



Package

1Pair of drawer slide
8 x Mount screws

Contact Us

The official website

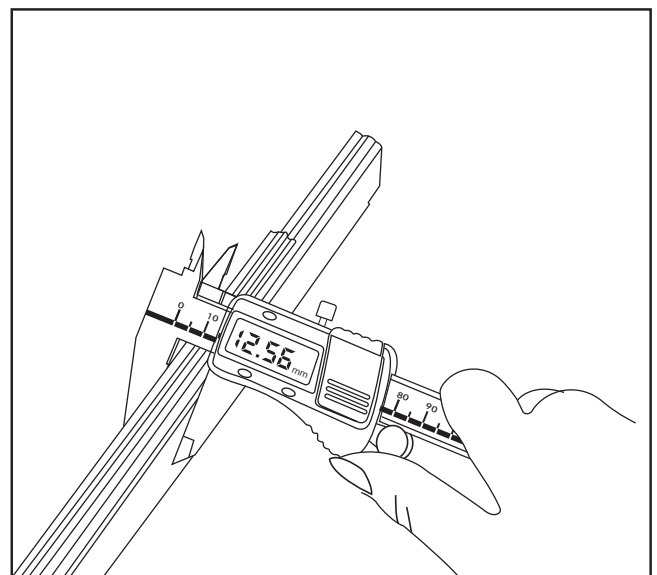
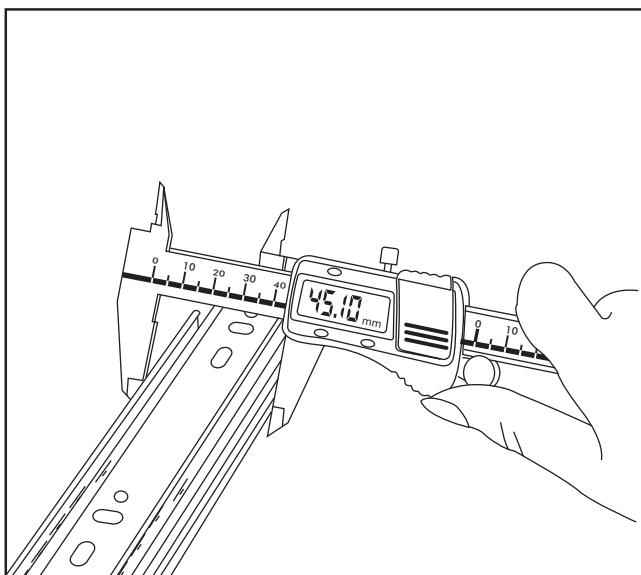
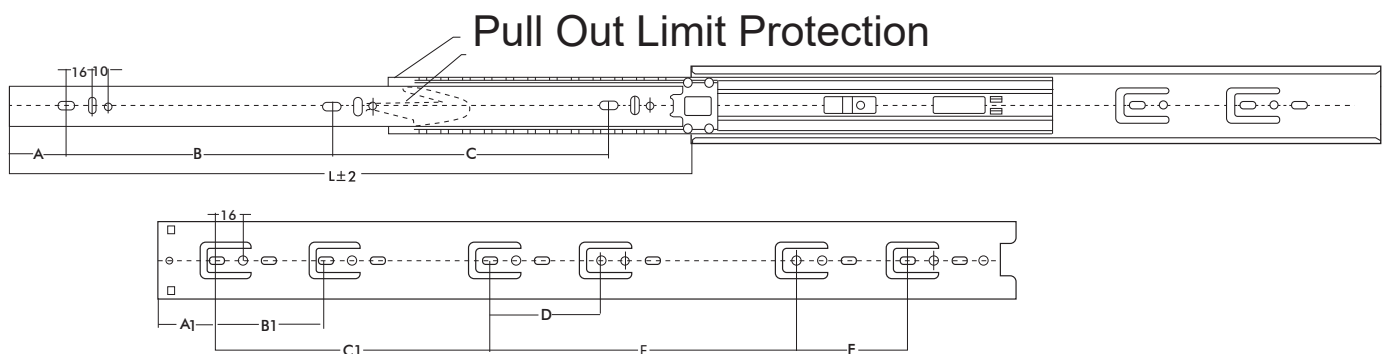
<https://vadania.com/>

Email: info@vadania.com

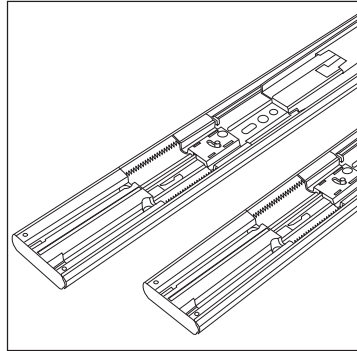


Facebook Page

- **NAME :** VADANIA Soft Close Drawer Slides VK1245
- **MATERIAL:** Cold-Rolled (Cold Rolled) Steel
- **INSTALLATION METHOD:** Side Mount
- **MAXIMUM LOAD CAPACITY:** 100lb / 45kg.
- **MINI DEPTH OF CABINET:** Drawer Length + 0.12in / 3mm
- **SURFACE TREATMENT:** Galvanized / Electrophoretic Black
- **SLIDE STYLE:** 3 Folds Full Extension, Side Mount, Separable
- **PLATE THICKNESS:** Outer Slider 0.04in(1.2mm) / Middle Slider 0.04in(1.2mm) / Inner Slider 0.06in(1.5mm)
- **SIZE:** 10-24in / 250-600mm
- **SCOPE OF APPLICATION:** Civil Furniture, Office Furniture, Cabinets/Wardrobes, etc

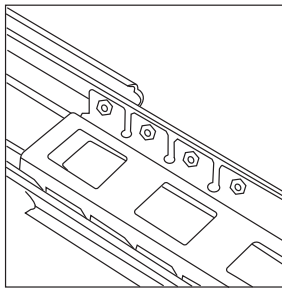
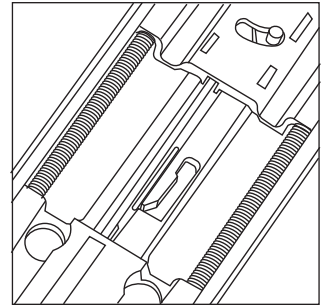


Product Features



Hydraulic Cylinder

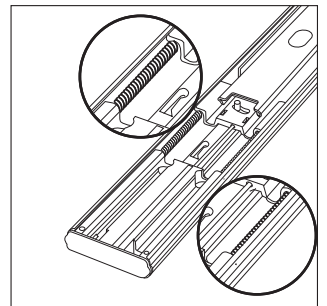
Hydraulic Soft/Self Close feature designed for preventing drawer from slamming shut



Solid steel ball, better bearing capacity

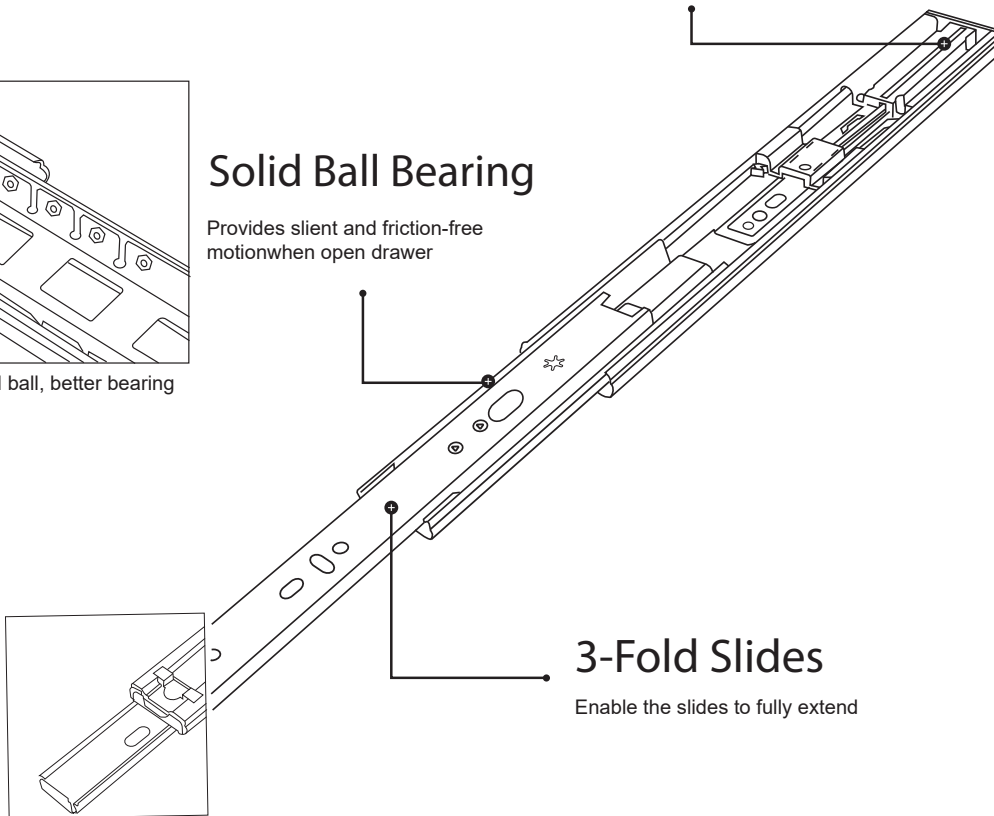
Solid Ball Bearing

Provides silent and friction-free motion when open drawer



Double Spring Design

Makes it easier to pull back and smoother than single spring when bearing load.



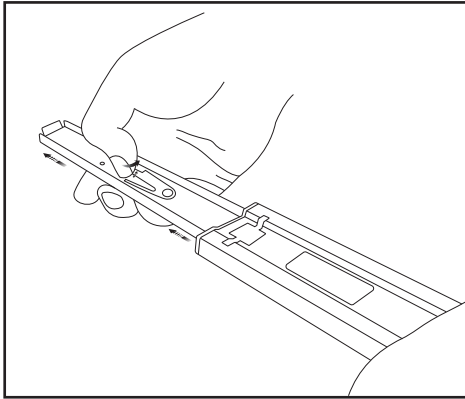
3-Fold Slides

Enable the slides to fully extend

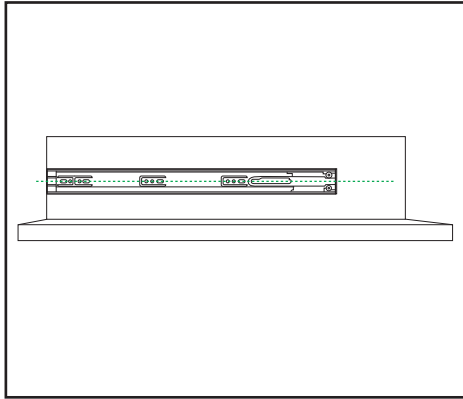
High Quality Plate

High - tension cold-rolled steel plates, 100,000 times of 100lb push-pull tests without damage.

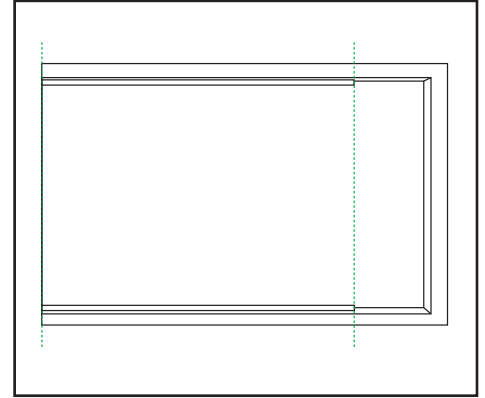
Installation Instruction



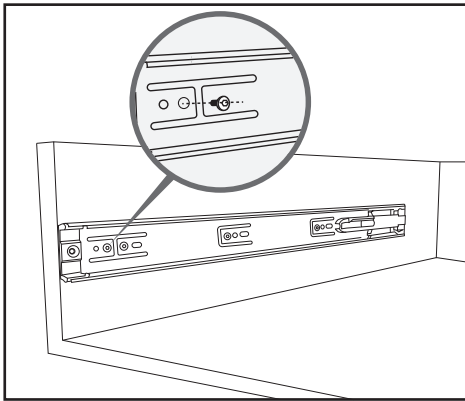
Step1 Separate drawer and base portion before mounting with provided lever



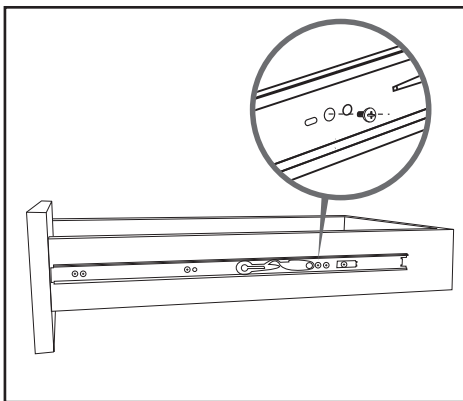
Step2 Make sure the slides are leveled during the installation process



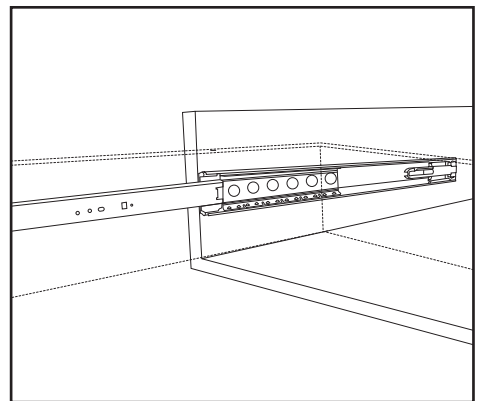
Step3 Place the outer member flush with the front edge of cabinet



Step4 Mount the screws in the permanent mounting (Breathing) holes

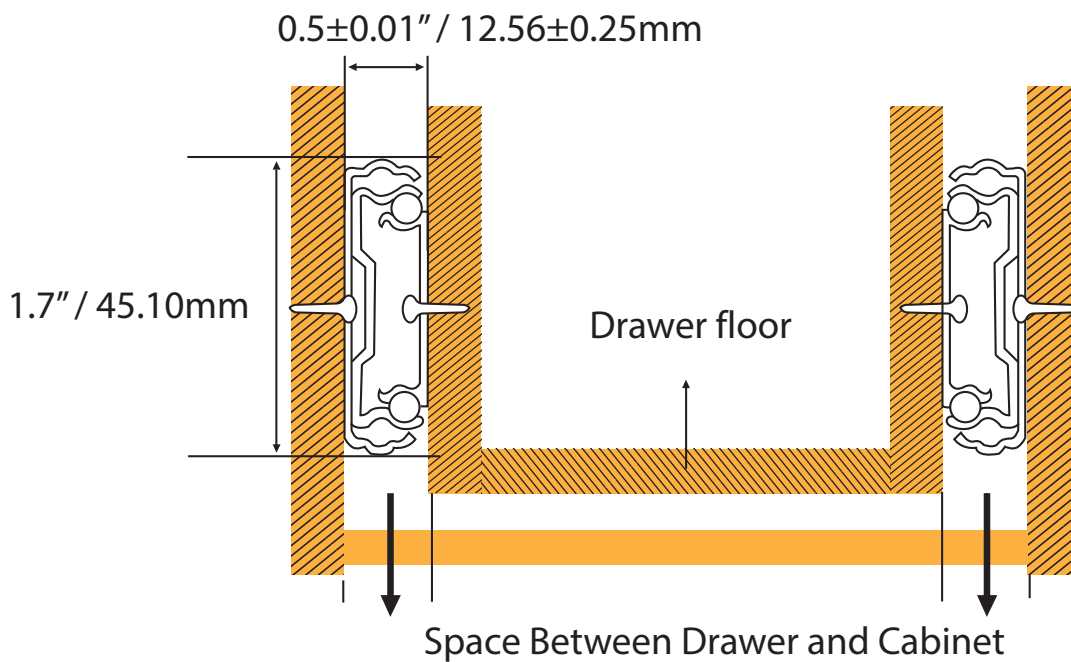


Step5 Adjust and level the inner member. mount the screws in the permanent mounting holes



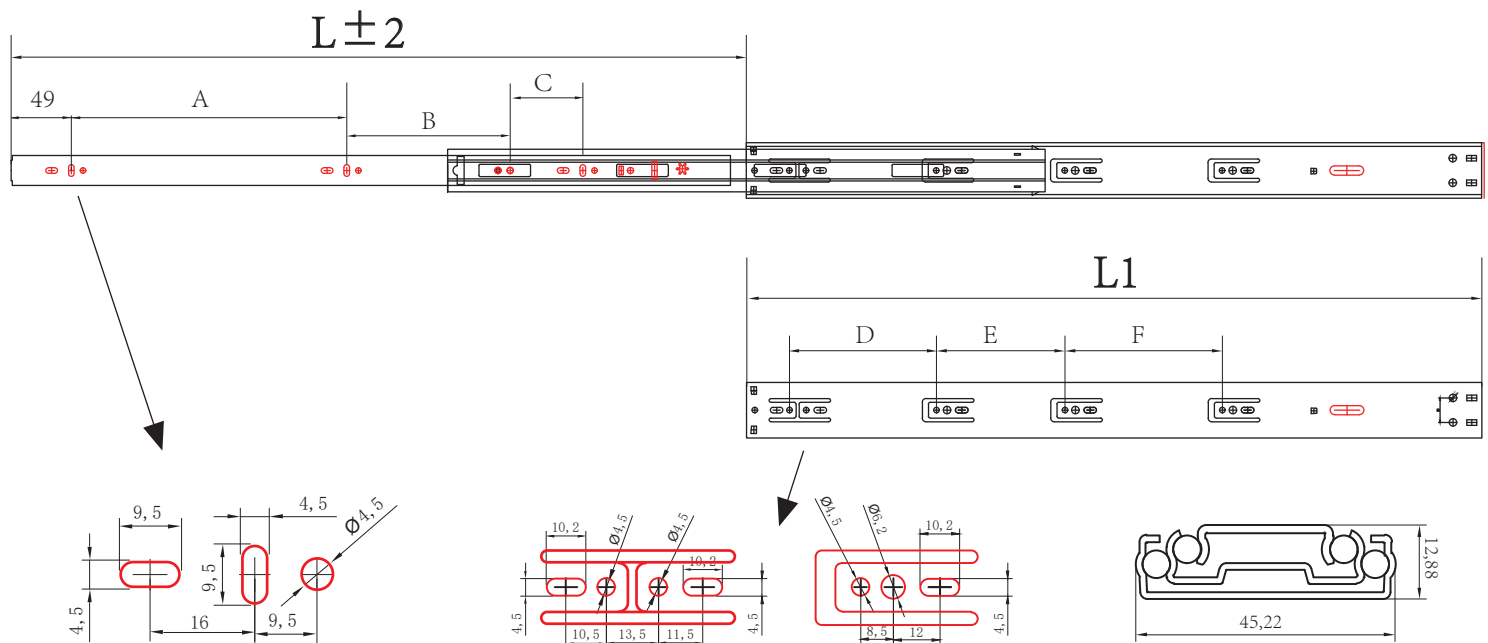
Step6 Move the metal retainer to the front of cabinet member and insert the drawer box carefully.

Installation Precautions



Size Table

Dimension



Size	Slide Length(L1)	Slide Travel(L)	Width	Thickness	Screws Holes Position					
					A	B	C	D	E	F
10"/250mm	10"/250mm	10"/250mm	1.7"/45mm	0.5"/12.7mm		4.5"/115.5mm		2.5"/66mm		
12"/300mm	12"/300mm	12"/300mm			2.5"/64mm	3.7"/96mm		3.4"/87.5mm		
14"/350mm	14"/350mm	14"/350mm			3.7"/96mm	3.7"/96mm		2.5"/64mm	2.5"/64mm	
16"/400mm	16"/400mm	16"/400mm			5"/128mm	4.1"/106mm		4.7"/119.5mm	2.5"/64mm	
18"/450mm	18"/450mm	18"/450mm			6.2"/160mm	4.8"/123mm		4.7"/119.5mm	4.1"/104.5mm	
20"/500mm	20"/500mm	20"/500mm			7.5"/192mm	4.6"/117mm		4.7"/119.5mm	4.1"/104.5mm	2.5"/64mm
22"/550mm	22"/550mm	22"/550mm			7.5"/192mm	5.5"/140mm	2.5"/64mm	4.7"/119.5mm	4.1"/105mm	3.7"/95mm
24"/600mm	24"/600mm	24"/600mm			8.8"/224mm	5.3"/135mm	2.2"/57mm	4.8"/121.5mm	4"/102.5mm	5"/128mm

A deviation of 0.2"/5mm may apply to the actual extended length.

How to Chose Size

Measure the depth of the drawer (for example, if the depth is 13in/330mm, choose 12in/300mm drawer slides. Deviations of 0.7in/20mm-1in/30mm are suitable)