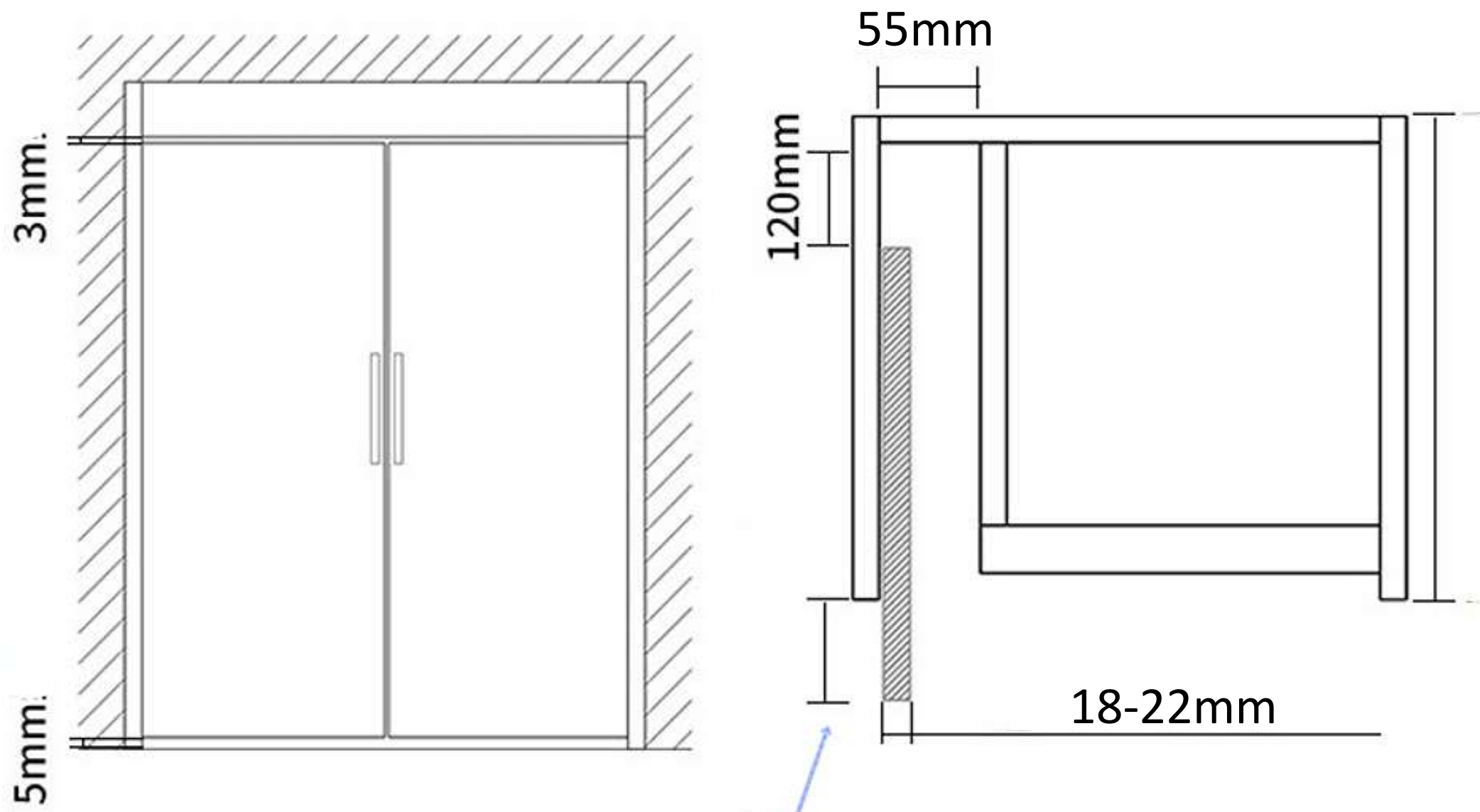


Parameter information

- **Door height:** recommended within 1~2.5 meters
- **Door width:** recommended 300~650mm
- **Cabinet depth:** recommended 400~700mm (not recommended less than 400mm)
- **Load-bearing:** single-leaf door load-bearing 10~18kg
- **Door thickness:** 18-22mm

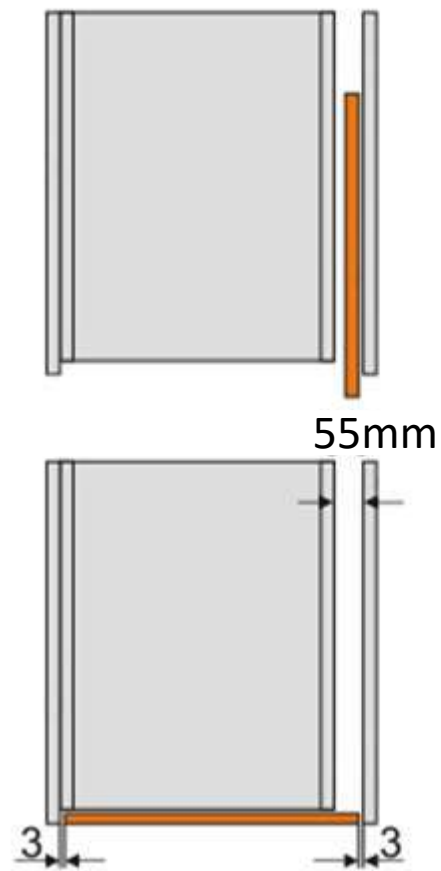


Reminder: When the depth of the cabinet is greater than 120mm than the door panel, the door panel can be hidden

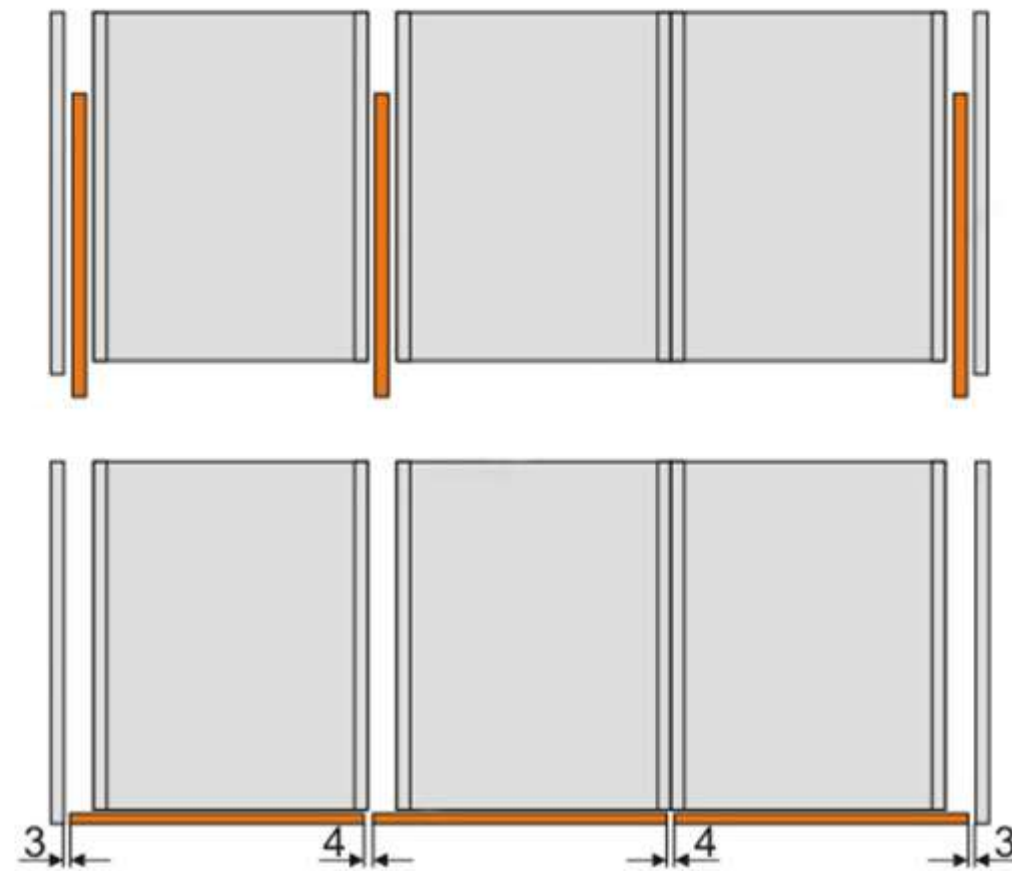
Common Hidden Cabinet Door Designs

Unit: mm

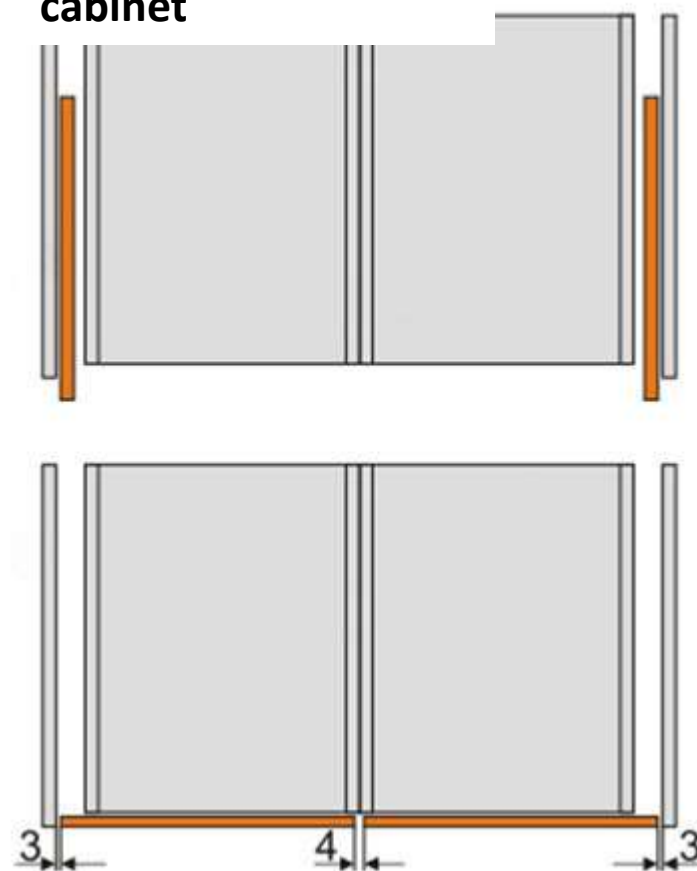
① single door cabinet



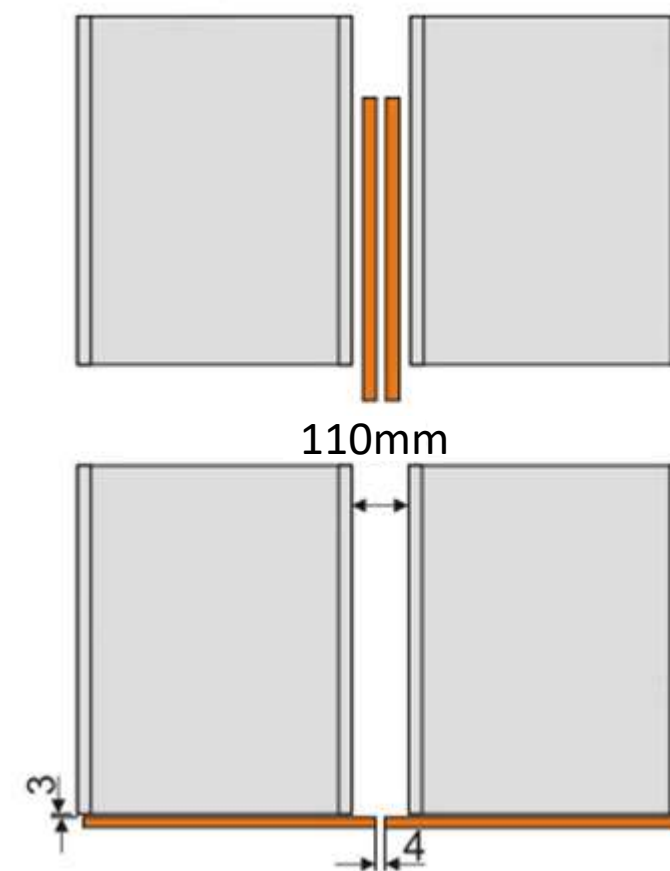
③ 3 doors cabinet

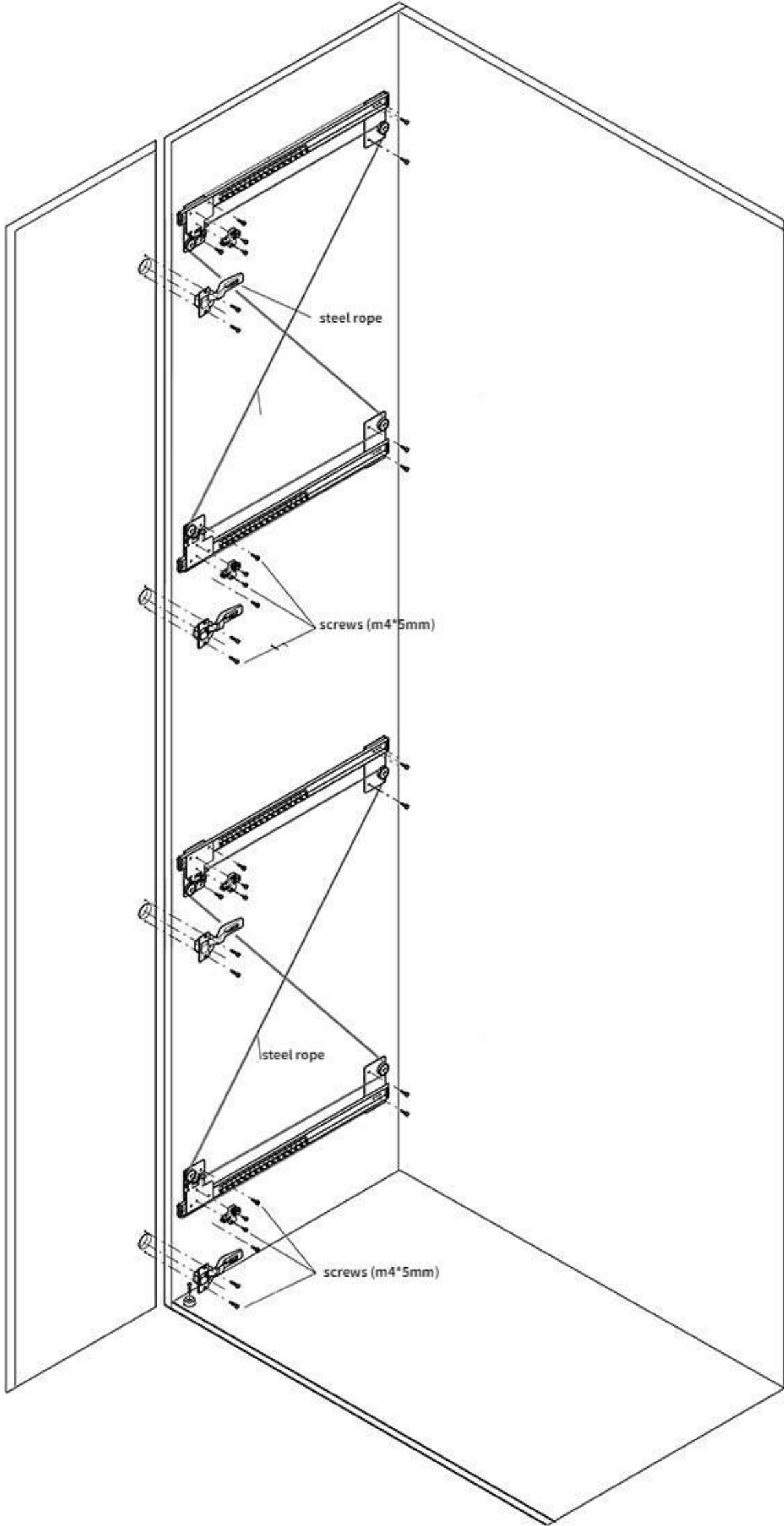


② double door cabinet



④ shared side space

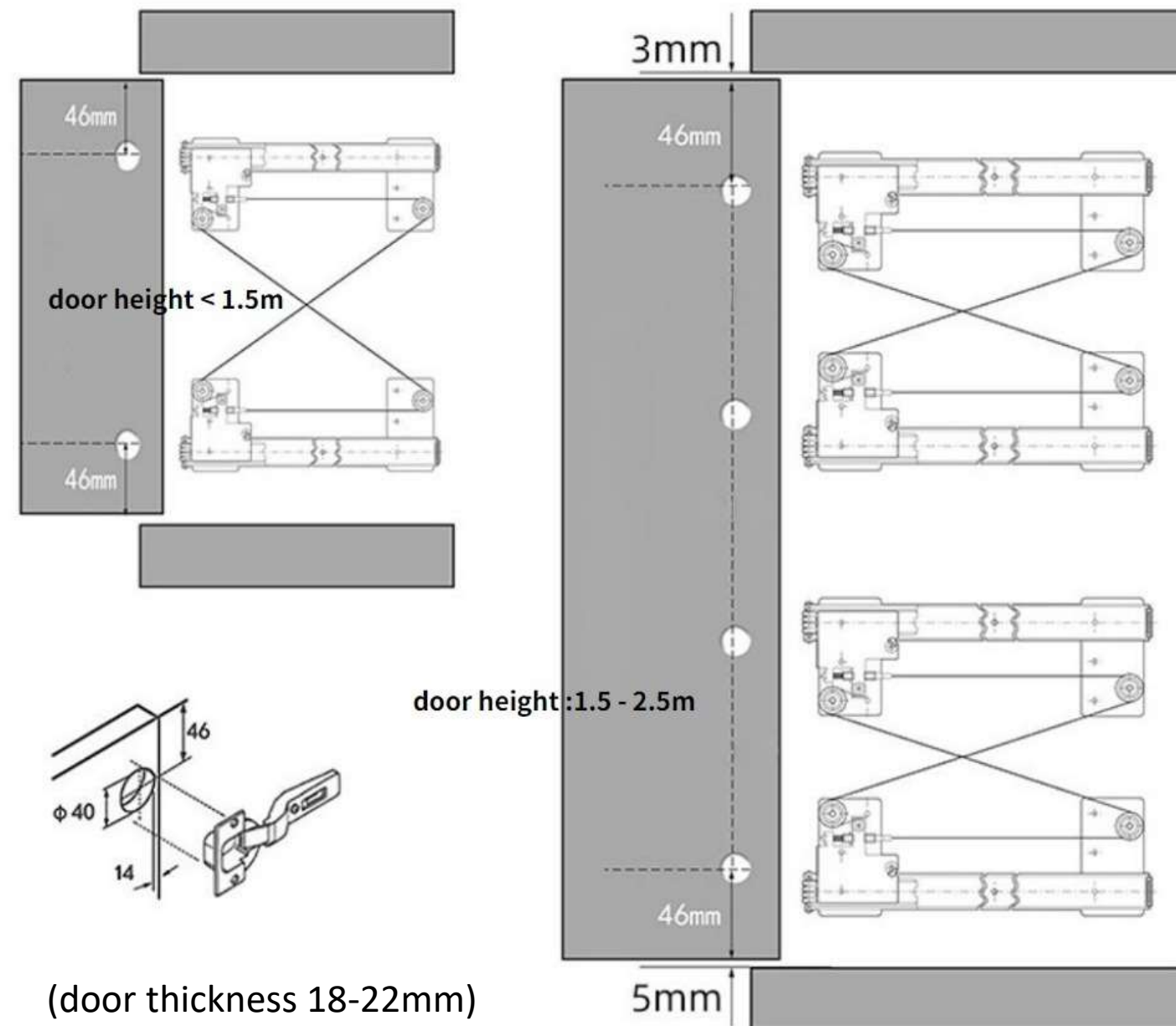




Requirements for doors and cabinets

The height of the door panel should be 8mm smaller than the net inner height of the cabinet

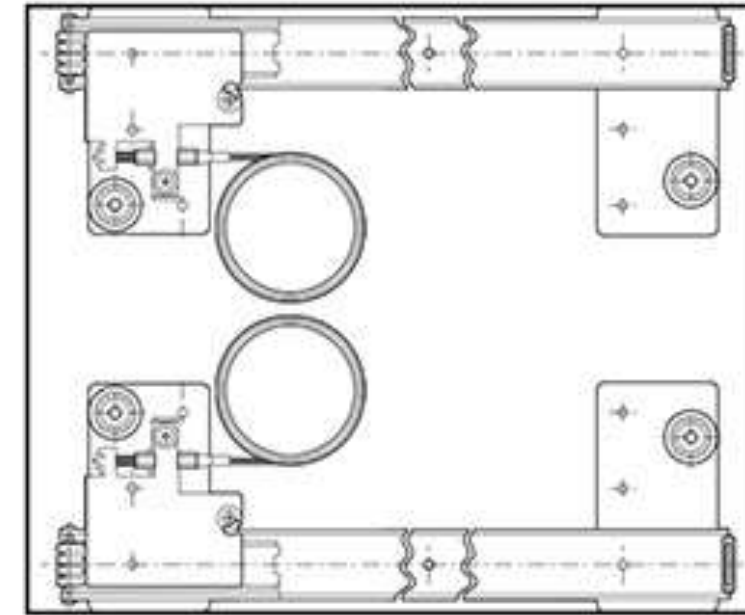
(Reserve 3mm on the top and 5mm on the bottom)



installation guide

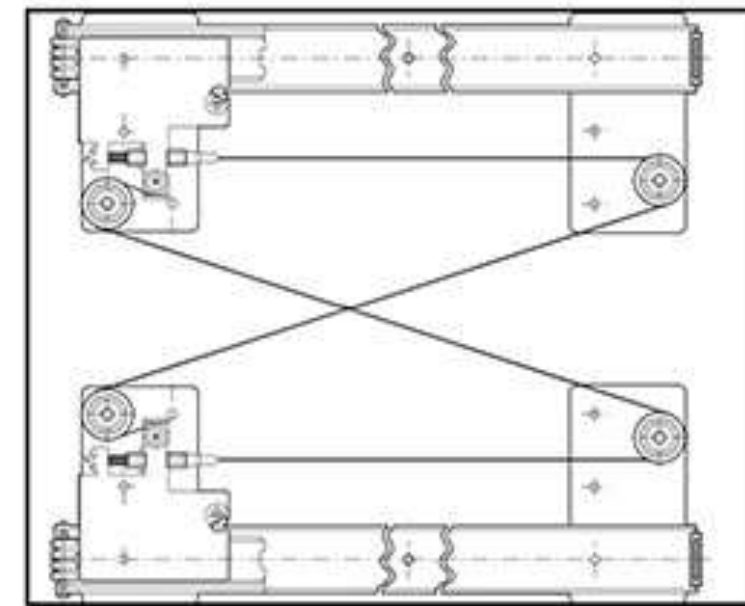
(1) Install the drawer slides

1. When installing the drawer slides, the distance from the edge of the slide to the edge of the cabinet is the thickness of the cabinet door. If the door panel is 20mm, the distance is 20mm.
2. Install the slide rails on the top and bottom of the cabinet, and refer to the 2nd page for the hole distance



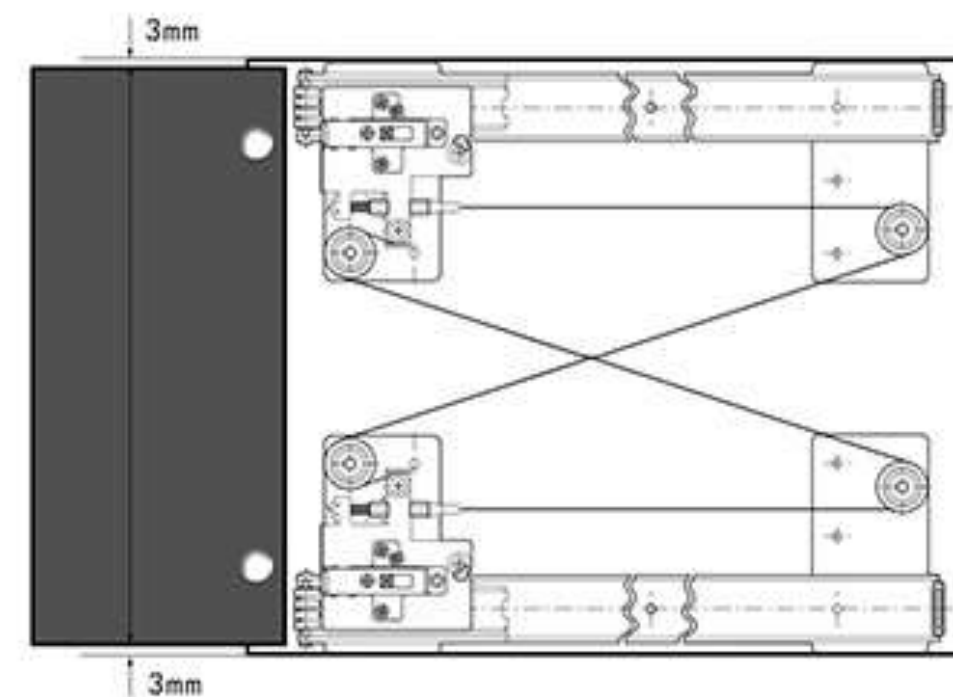
(2) Install the steel rope

1. Install the slide rail according to (1)
2. Pull the steel rope of the guide rail, and then pull the steel rope to the roller at the opposite corner to go around the roller, and fix the steel rope under the screw.
3. Adjust the tightness of the steel rope and tighten the screws.
4. Repeat the above steps for the other slide rail.



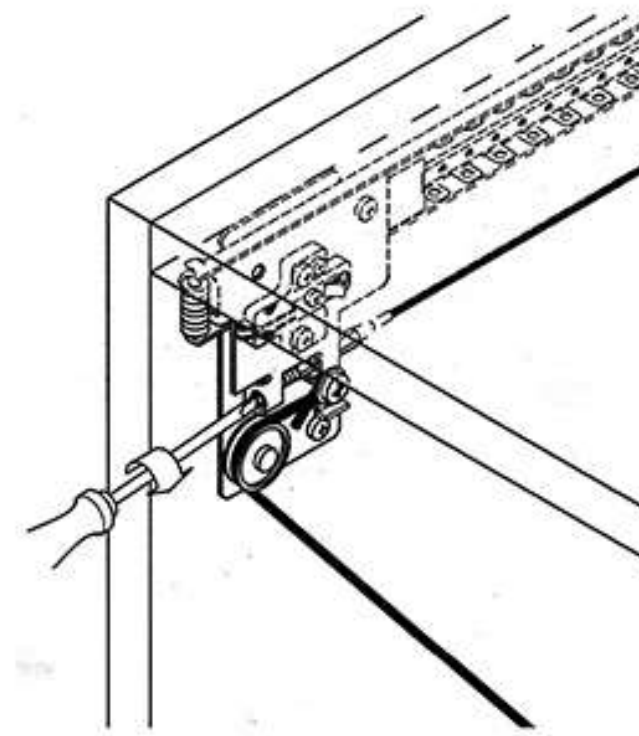
(3) Install hinges and doors

1. Use (M4*5mm screws) to fix the door and side panels during installation
2. Put the hinge into the punched hole and fix the screw.
3. The hinge is fixed on the drawer slides and the door.
4. Close the door to check the clearance, if adjustment is required, please refer to (5)



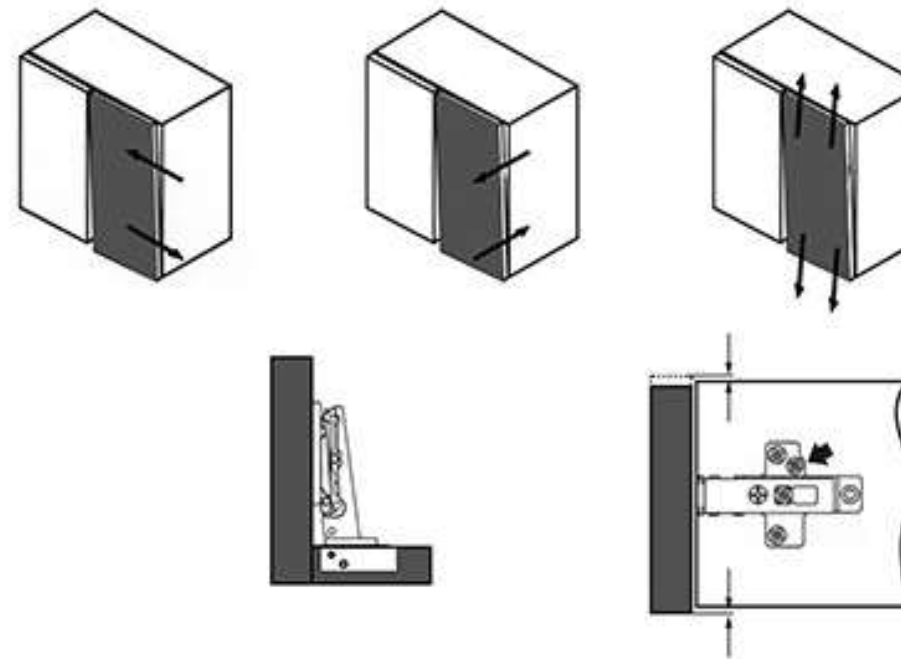
(4) Adjust the door panel

In the case of ensuring that the weight of the door does not exceed 18kg, if the door will sag slightly, you can adjust the screws of the steel rope. The best state of the steel rope is to maintain a slight tension.



(5) Adjust the hinge

1. Left and right adjustment: - 0.5mm/5.5mm
2. Front and rear adjustment; 2.8mm
3. Up and down adjustment: - 1.5mm/1.5mm



(6) Install the positioning wheel

1. As shown in the picture, fix the positioning wheel on the bottom and top of the cabinet

